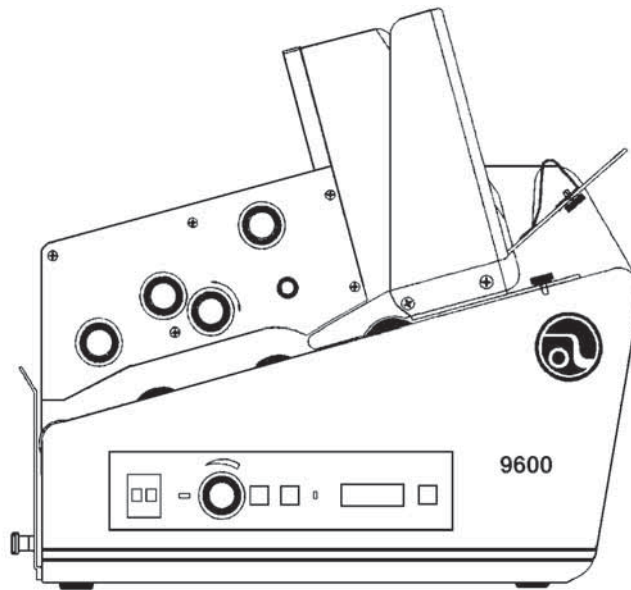


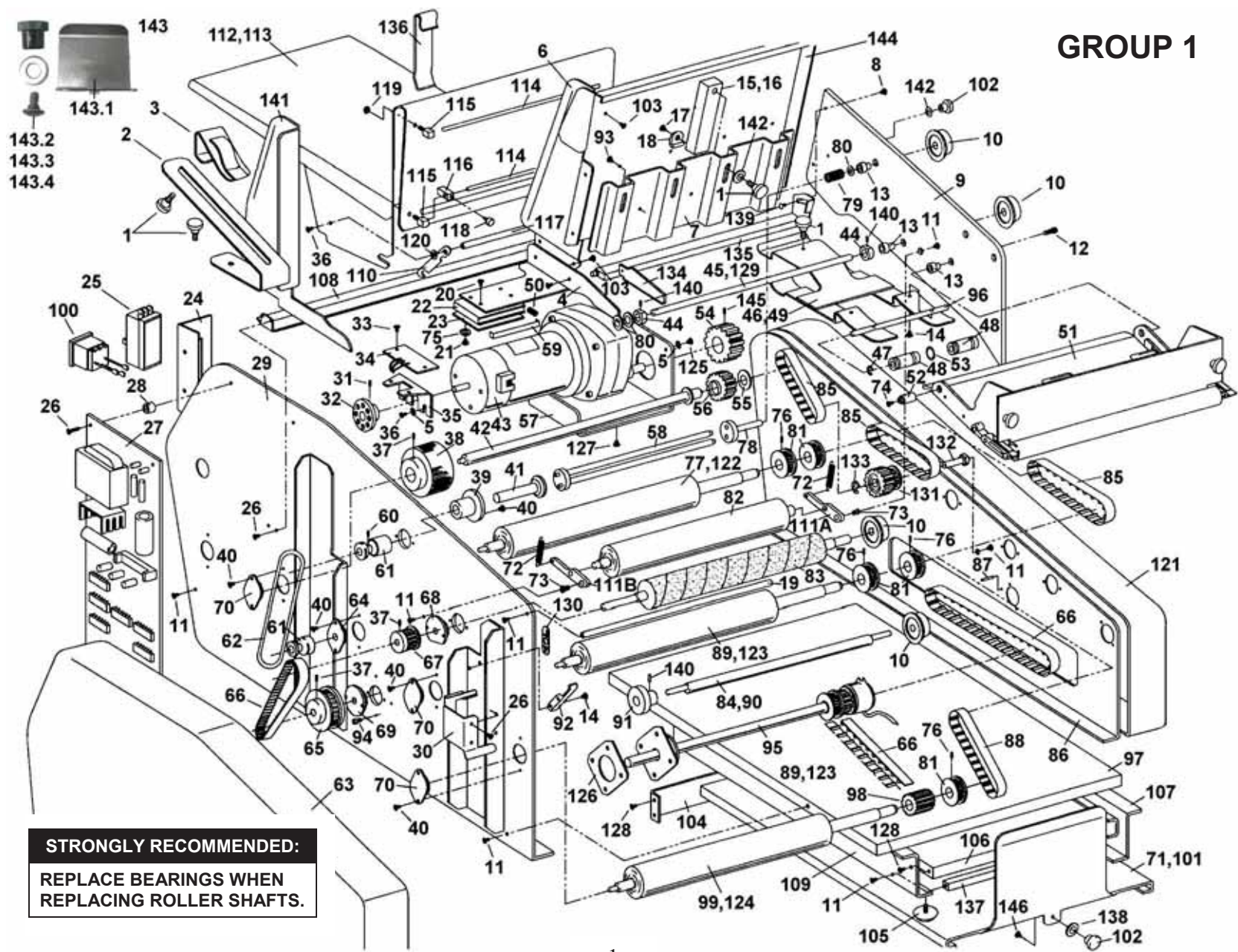


ATS-9600/9700 TABBER/LABELER



PARTS CATALOG

GROUP 1



STRONGLY RECOMMENDED:
REPLACE BEARINGS WHEN
REPLACING ROLLER SHAFTS.

GROUP 1

KEY	PART NO.	DESCRIPTION
1.	84-114-34	THUMBSCREW
2.	90-102-10	ENVELOPE STACK REST, ATS-9600
3.	90-102-13	REAR ENVELOPE SUPPORT
4.	90-102-06	SIDE GUIDE BRACKET
5.	123-0237	STAR WASHER, #10
6.	90-102-05	FRONT ENVELOPE GUIDE, L/H
7.	90-103-03	FRONT METERING PLATE
8.	123-0563	SCREW, 10-32 x 1/4
9.	90-100-11	APPLICATOR HEAD SIDE FRAME
10.	123-0390	KNOB
11.	123-0024	SCREW, 10-32 x 3/8
12.	90-103-24	APPLICATOR HEAD STUD, R/H
13.	123-0564	BUSHING
14.	123-0461	SCREW, 6-32 x 3/16
15.	90-103-06	TOP METERING BRACKET ASSEMBLY
16.	90-103-07	TOP METERING BRACKET
17.	123-0683	SCREW, 6-32 x 5/16
18.	90-103-09	SEPARATOR TIP
19.	90-103-17	APPLICATOR HEAD SUPPORT
20.	123-0751	SCREW, 6-32 x 3/8
21.	123-0274	SCREW, 6-32 x 3/8
22.	90-102-07	SIDE GUIDE BLOCK
23.	90-102-08	SIDE GUIDE PLATE
24.	90-105-01	POWER SWITCH BRACKET
25.	123-0565	CONNECTOR, POWER CORD
26.	123-0612	SCREW, 6-32 x 1/4
27.	90-100-00T	PC BOARD ASSEMBLY
28.	90-104-32	STAND OFF
29.	90-100-04	SIDE FRAME, LEFT
30.	90-100-200T	SENSOR BRACKET ASSEMBLY
31.	123-0001	SET SCREW, 10-32 x 5/16
32.	90-101-09	MAGNET, PULSE GENERATOR
33.	123-0021	SCREW, 4-40 x 1/8
34.	90-140-11	PC BOARD ASSEMBLY, PULSE GENERATOR
35.	90-101-06	SENSOR MOUNTING BRACKET
36.	123-0442	SCREW, 6-32 x 3/8
37.	123-1861	SET SCREW, 10-24 x 1/4 (<i>REPLACES OBSOLETE 123-0298</i>)
38.	90-102-21	FEED ROLLER ASSEMBLY

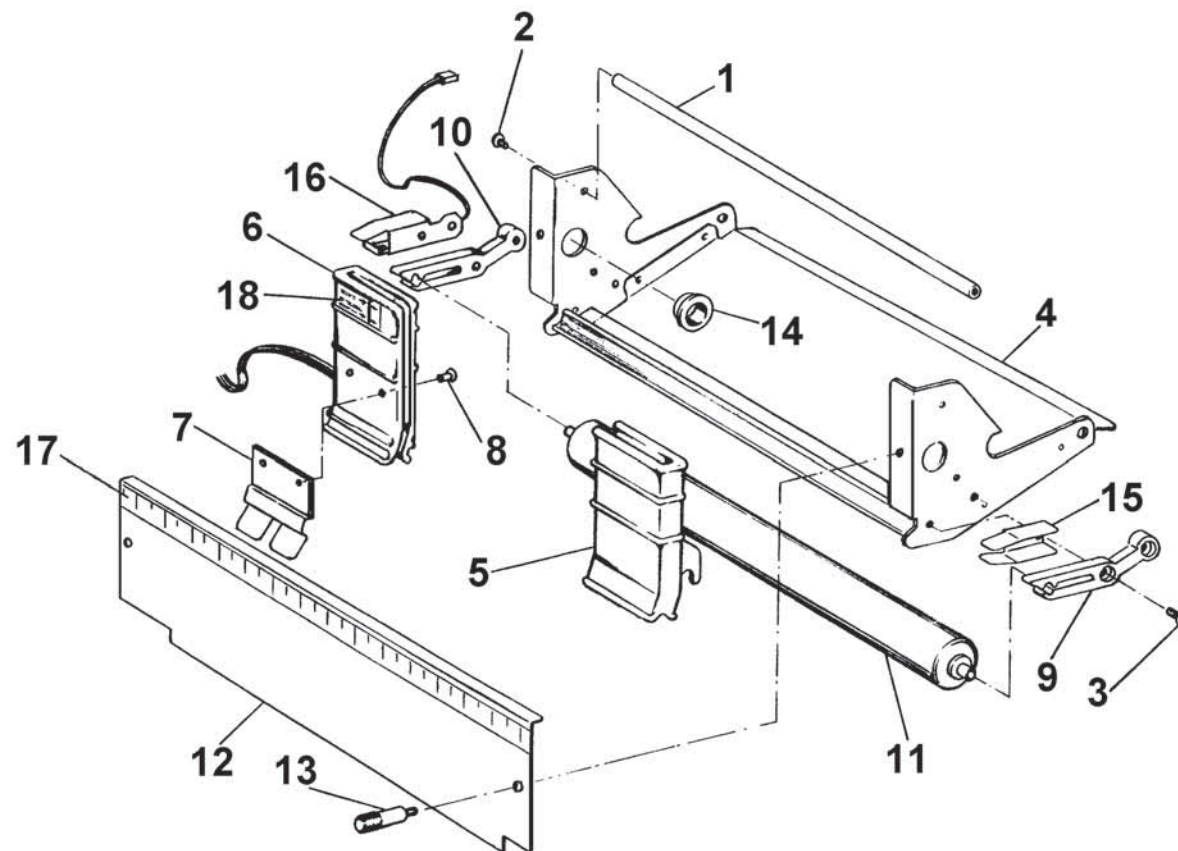
KEY	PART NO.	DESCRIPTION
39.	90-103-53	BEARING HOUSING ASSY., TAKE-UP SPOOL
40.	123-0275	SCREW, 6-32 x 1/4
41.	90-103-48	SHAFT, MANUAL RELEASE, L/H
42.	90-102-39	SHAFT, FEED ROLLER
43.	90-101-02	MOTOR
44.	90-103-40	RELEASE – ECCENTRIC SHAFT
45.	90-103-39	RELEASE – ECCENTRIC SHAFT
46.		SEE ITEM 49
47.	123-0080	C-CLIP, 3/16
48.	90-103-66	ROLLER, TRACK SPRING
49.	90-103-10	TRACK ASSEMBLY
50.	84-120-26A	SPRING
51.		SEE GROUP 2
52.	91-303-25	APPLICATOR HEAD PIVOT, L/H
53.	123-0717	O-RING
54.	90-101-04	MOTOR PULLEY
55.	123-0567	WASHER, 5/16"
56.	90-102-19	PULLEY, FEED ROLLER SHAFT
57.	90-101-07	BRACKET, MOTOR MOUNTING
58.	90-103-54	PAPER TAKE-UP SHAFT WELDMENT
59.	90-102-15	SIDE GUIDE BLOCK SPRING
60.	123-0322	SET SCREW, 8-32 x 1/4
61.	90-103-45	PULLEY, PAPER TAKE-UP
62.	*123-0574	O-RING
63.	90-100-16	SIDE FRAME COVER, L/H
64.	90-102-28	BEARING HOUSING ASSEMBLY, REAR ROLLER
65.	90-101-17	DRIVE PULLEY ASSEMBLY
66.	*123-0573	BELT, 130 XLO437
67.	90-103-29	PULLEY, ALUMINUM 14 XL
68.	90-103-26	BEARING HOUSING ASSEMBLY, PULL ROLLER
69.	90-101-12	BEARING HOUSING ASSEMBLY, CLUTCH
70.	90-103-52	BEARING HOUSING ASSY., FRT. RUBBER ROLL.
71.	90-100-27	RECEIVING TRAY
72.	90-103-70	SPRING
73.	90-103-36	PIVOT, TAKE-UP PRESS-ON ROLLER
74.	123-0494	SCREW, 10-32 x 3/8
75.	123-0068	WASHER, PLAIN #10
76.	123-0036	ROLL PIN, 3/32 x 5/8

GROUP 1

KEY	PART NO.	DESCRIPTION
77.	*90-102-27	ROLLER ASSEMBLY, UPPER FORWARDING
78.	90-103-47	SHAFT, MANUAL RELEASE, R/H
79.	*90-103-55	SPRING, COMPRESSION
80.	123-0523	PLASTIC WASHER, 1/4" ID
81.	71-122-06	PULLEY, 12XL .375 ID
82.	*91-603-32	ROLLER, TAKE-UP PRESS-ON
83.	*91-603-27	ROLLER, LABEL PULL
84.	91-603-18	APPLICATOR HEAD ECCENTRIC ASSEMBLY
85.	*123-0576	BELT, 80XLO31
86.	90-100-07	SIDE FRAME, R/H
87.	123-0036	ROLL PIN, 3/32 x 5/8
88.	*123-0138	BELT, 90XL
89.	*90-102-22	ROLLER ASSEMBLY, INTERMEDIATE
90.	91-603-19	APPLICATOR HEAD HEIGHT - ECCENTRIC
91.	91-603-20	APPLICATOR HEAD HEIGHT POSITIONER
92.	90-103-21	SPRING, APPLICATOR HEAD
93.	123-0126	SCREW, 6-32 x 1/4
94.	123-0163	SCREW, SOCKET CAP 1/4-28 x 1/2
95.		SEE GROUP 3
96.	90-103-15	TRACK ROLLER SHAFT
97.	90-100-09	MOTOR BASE
98.	90-102-23	PULLEY, 12 GROOVE
99.	*90-102-200	ROLLER ASSEMBLY, FRONT
100.	90-104-75	AUXILIARY RECEPTACLE HARNESS ASSY.
101.	90-100-29	RECEIVING TRAY ASSEMBLY
102.	123-0460	KNOB
103.	123-0701	SCREW, 10-32 x 3/16 PH TRUSS HD.
104.	90-100-35	U-CHANNEL, BLACK
105.	123-0620	RUBBER FOOT
106.	90-100-39	U-CHANNEL, FRONT
107.	90-100-41	SUPPORT BRACKET, R/H
108.	90-102-37	U-CHANNEL
109.	90-100-40	SUPPORT BRACKET, L/H
110.	90-104-25	LABEL TRAY LATCH
111A.	90-103-35	ARM, TAKE-UP PRESS-ON ROLLER, R/H
111B.	90-103-34	ARM, TAKE-UP PRESS-ON ROLLER, L/H
112.	90-104-31	LABEL TRAY ASSEMBLY
113.	90-104-31	LABEL TRAY ASSEMBLY

KEY	PART NO.	DESCRIPTION
114.	90-104-05	GUIDE ROD
115.	90-104-06	STUD, GUIDE ROD
116.	90-104-07	LABEL GUIDE
117.	90-104-08	SUPPORT ROD
118.	90-104-09	THUMBSCREW, LABEL GUIDE
119.	123-0192	NUT, 6-32
120.	123-0621	O-RING
121.	90-100-17	SIDE FRAME COVER, R/H
122.	*90-102-27	ROLLER ASSEMBLY, UPPER FORWARDING
123.	*90-102-22	ROLLER ASSEMBLY, INTERMEDIATE
124.	*90-102-200	ROLLER ASSEMBLY, FRONT
125.	123-0185	SCREW, 10-32 x 3/8
126.	90-101-20	SPACER
127.	123-0486	SCREW, 10-32 x 7/16
128.	123-0017	SCREW, 10-32 x 1/4
129.	90-103-38	RELEASE, ECCENTRIC SHAFT ASSEMBLY
130.	90-105-09	DECAL, SWITCH POSITION INDICATOR
131.	90-107-05	IDLER PULLEY ASSEMBLY
132.	90-107-06	STUD, IDLER PULLEY
133.	123-0081	C-CLIP, 1/4"
134.	90-107-03	BRACKET, MEDIA GUIDE
135.	90-103-30	BAR, TRACK SPRING
136.	90-107-02	SPRING, TAB PRESSURE
137.	90-100-37	CROSS BRACKET
138.	90-100-28	SPACER, RECEIVING TRAY KNOB
139.	123-0026	CARRIAGE BOLT, 10-24 x 3/4
140.	123-0757	SPRING PIN, 3/32 x 1/2
141.	90-103-02B	SIDE GUIDE, R/H
142.	123-0148	WASHER 1/32"
143.	84-100-15	GUIDE ASSEMBLY
143.	84-100-15	GUIDE ASSEMBLY
143.1	74-100-13	GUIDE PLATE
143.2	123-0460	KNOB
143.3	123-0063	WASHER, 5/8 OD x 9/32 ID x 1/16
143.4	123-0433	CARRIAGE BOLT
144.	90-113-50	METERING PLATE
145.	123-0001	SET SCREW, 10-32 x 1/4
146.	123-0016	SCREW. 10-24 x 3/8 FLAT SOC HD SS

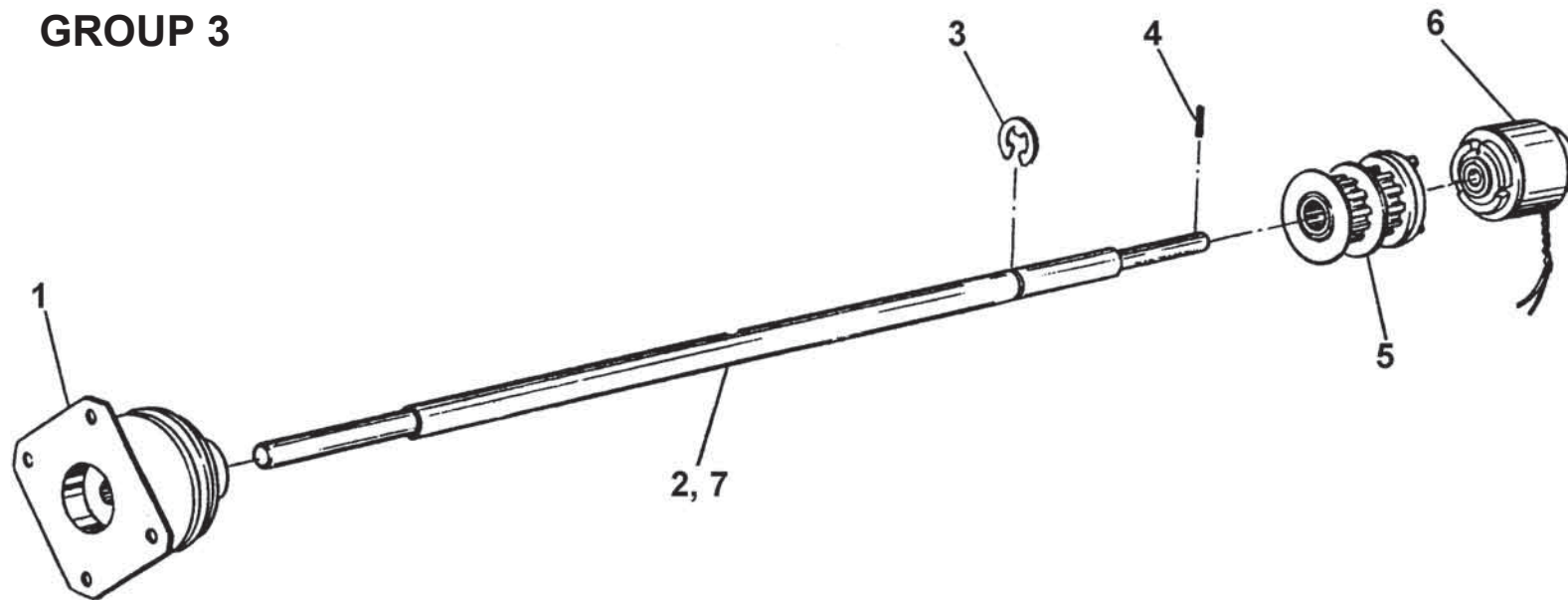
GROUP 2



KEY	PART NO.	DESCRIPTION
1.	91-604-17	TIE BAR
2.	123-0612	SCREW, 6-32 x 1/4
3.	123-0674	SCREW, 6-32 x 1/4 SOCKET CAP HEAD
4.	91-604-11	APPLICATOR HEAD
5.	90-104-23	LABEL GUIDE, R/H
6.	90-104-24	LABEL GUIDE WITH SENSORS, L/H
7.	90-104-47	TAB GUIDE SPRING
8.	123-0675	SCREW, 6-32 x 1/8 FLAT HEAD
9.	90-104-20	ROLLER HOLDER, L/H

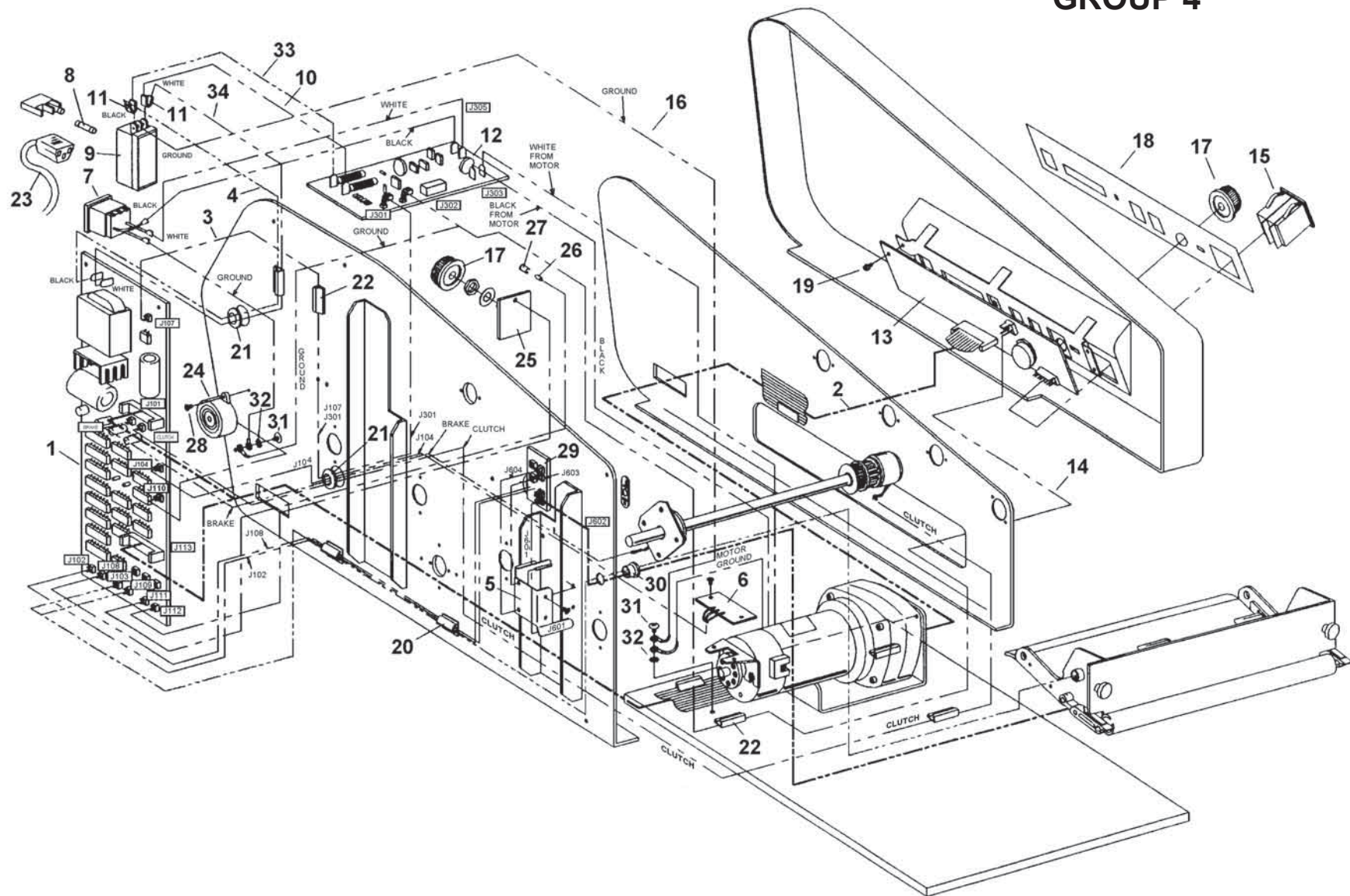
KEY	PART NO.	DESCRIPTION
10.	91-604-21	ROLLER HOLDER, R/H
11.	91-604-18	APPLICATOR ROLLER
12.	91-604-16	FRONT SHIELD
13.	90-104-49	THUMBSCREW
14.	123-0684	PLASTIC BUSHING
15.	90-104-51	SPRING, ROLLER HOLDER
16.	90-100-210T	MEDIA SENSOR BRACKET ASSEMBLY
17.	123-0328	SCALE GUIDE
18.	123-0702	LABEL, TAB ALIGNMENT

GROUP 3



KEY	PART NO.	DESCRIPTION
1.	90-800-13	BRAKE ASSEMBLY
2.	90-101-11**	SHAFT, CLUTCH
3.	123-0006**	C-CLIP
4.	123-0369**	ROLL PIN
5.	90-101-13**	PULLEY ASSEMBLY, CLUTCH
6.	90-800-14**	CLUTCH
7.	90-101-10	CLUTCH SHAFT ASSEMBLY (CONSISTS OF ALL PARTS WITH **)

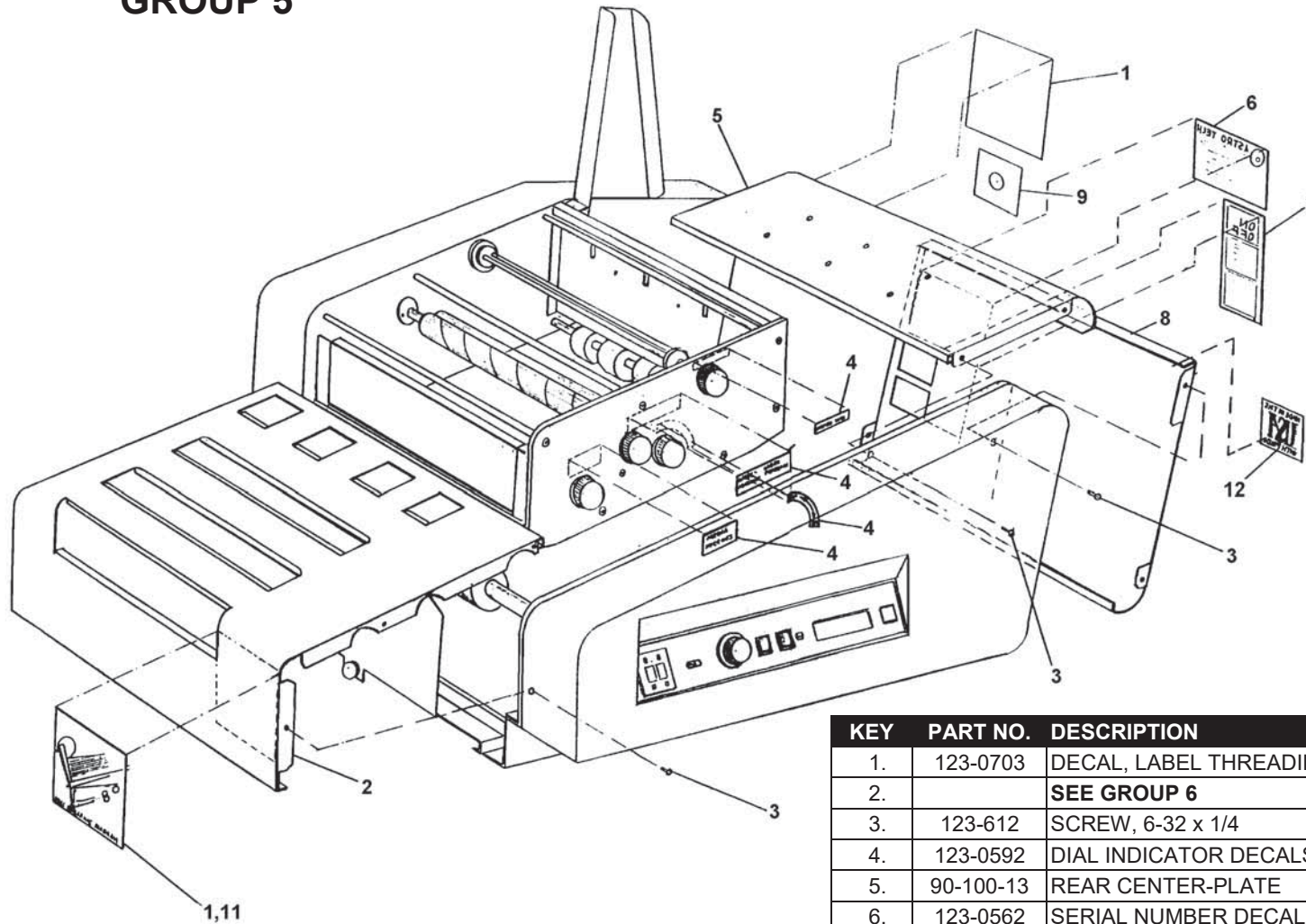
GROUP 4



GROUP 4

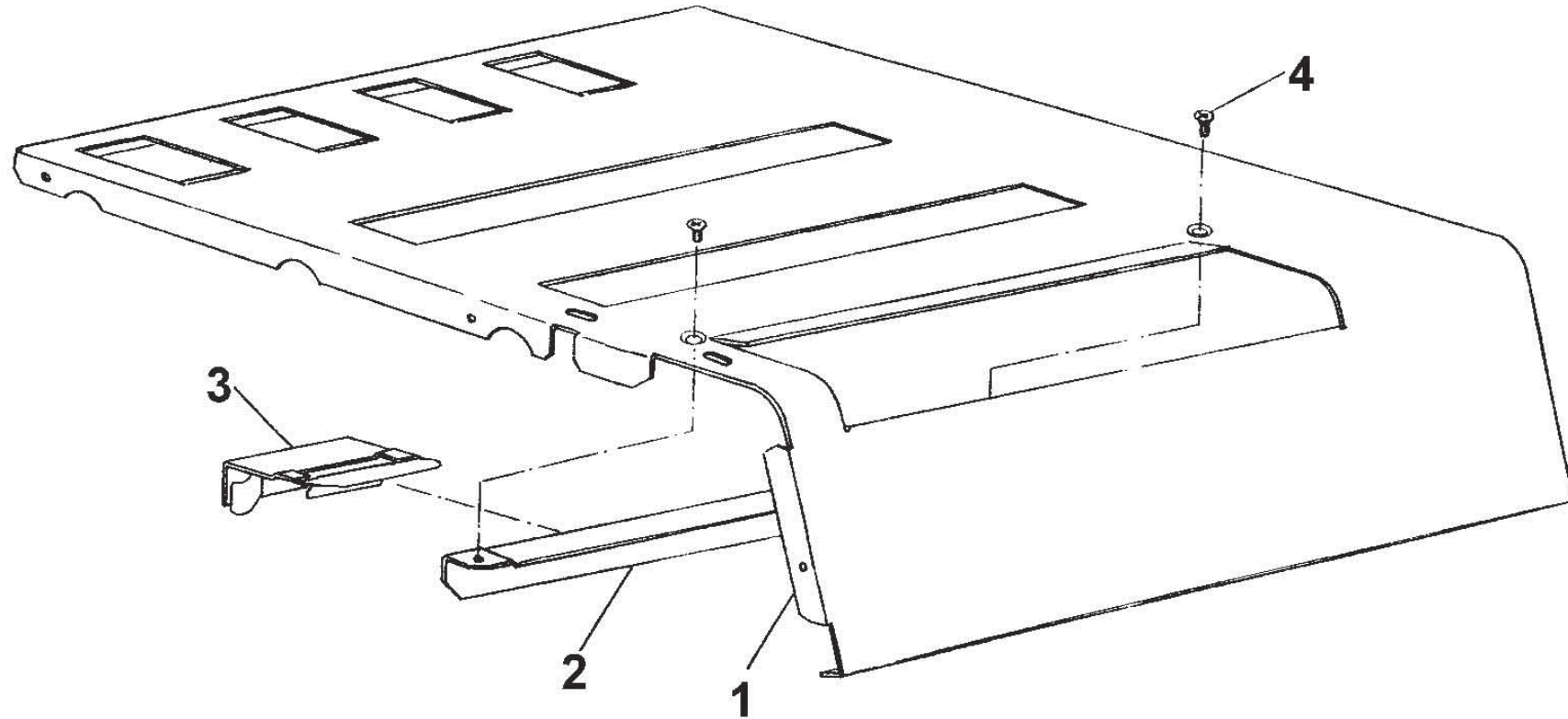
KEY	PART NO.	DESCRIPTION
1.	90-100-00T	MAIN CONTROL BOARD
1.	90-100-00TE	MAIN CONTROL BOARD 50Hz (EUROPE)
2.	90-104-90	WIRE HARNESS, FLAT CABLE
3.	90-104-80	WIRE HARNESS, MOTOR CONTROL
4.	90-104-94	WIRE HARNESS, MAIN CONTROL
5.	90-100-200T	SENSOR BRACKET ASSEMBLY
6.	90-140-11	PC BOARD ASSEMBLY, PULSE GENERATOR
7.	90-104-75	AUXILIARY RECEPTACLE HARNESS
8.	123-0623	FUSE, 1.6 A 250 V
9.	123-0565	POWER CONNECTOR W/FUSE AND SWITCH
10.	90-104-83	WIRE HARNESS, MOTOR CONTROL
11.	123-0606	DOUBLE DISCONNECT
12.	90-100-30	PC BOARD, MOTOR CONTROL
13.	90-100-100A*	PC BOARD, CONTROL PANEL
14.	90-104-70	WIRE HARNESS, POTENTIOMETER
15.	90-104-34	LABEL POSITION SWITCH ASSEMBLY
16.	90-104-33	GROUNDING WIRE
17.	123-0390	KNOB
18.	123-0786	DECAL, CONTROL PANEL
19.	123-0687	SCREW, #6 x 1/4" SELF-TAPPING
20.	123-0609	CABLE HOLDER, 1/4"
21.	123-0707	RUBBER GROMMET
22.	123-0607	FLAT CABLE CLAMP
23.	123-0635	POWER CORD
24.	90-104-40	BEEPER ASSEMBLY
25.	90-104-50	SWITCH ASSEMBLY, SENSOR ADJUSTMENT
26.	90-104-60	LED ASSEMBLY, SENSOR ADJUSTMENT
27.	123-0685	LED HOLDER
28.	123-0274	SCREW, 6-32 x 3/8 PHILLIPS TRUSS HEAD
29.	90-100-80T	BOARD-SENSOR SWITCH TABBER
30.	123-0684	SNAP-IN BUSHING
31.	123-0017	SCREW, 10-32 x 1/4
32.	123-0237	STAR WASHER, # 10
33.	90-104-93	WIRE HARNESS, MOTOR CONTROL
34.	90-104-84	WIRE HARNESS, MAIN CONTROL
*	91-300-50	REPLACES OLD STYLE SQUARE SWITCHES, (INCLUDES PC BOARD AND COVER)

GROUP 5



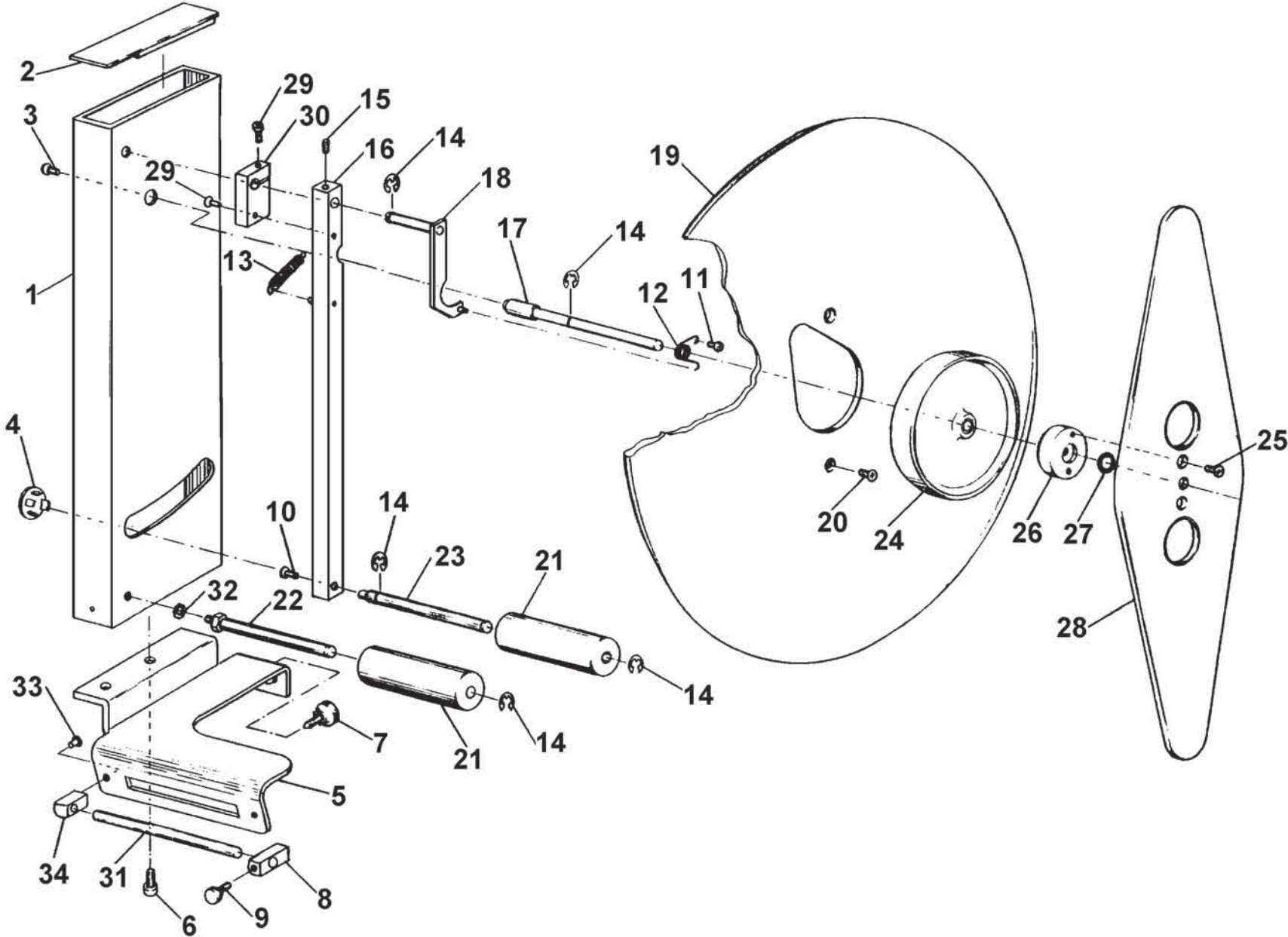
KEY	PART NO.	DESCRIPTION
1.	123-0703	DECAL, LABEL THREADING DIAGRAM
2.		SEE GROUP 6
3.	123-612	SCREW, 6-32 x 1/4
4.	123-0592	DIAL INDICATOR DECALS (SET)
5.	90-100-13	REAR CENTER-PLATE
6.	123-0562	SERIAL NUMBER DECAL
7.	123-0579	CAUTION LABEL
8.	90-100-12	BACK COVER
9.	90-105-11	DECAL, SWITCH POSITION INDICATOR
10.	90-105-10	DECAL, SENSOR ADJUSTMENT INSTRUCTIONS
11.	123-0704	DECAL, TAB THREADING DIAGRAM
12.	123-0136	DECAL, MADE IN THE USA

GROUP 6



KEY	PART NO.	DESCRIPTION
1.	90-100-44	CENTER PLATE
2.	91-604-42	CENTER PLATE BRACKET
3.	90-104-45	TAB SUPPORT ASSEMBLY (<i>ATS-9600 ONLY</i>)
4.	123-0126	SCREW, 8-32 x 1/4
	90-104-46	CENTER PLATE ASSEMBLY (<i>ATS-9600 ONLY</i>)
	90-004-146	CENTER PLATE ASSEMBLY (<i>ATS-9700 ONLY</i>)

GROUP 7

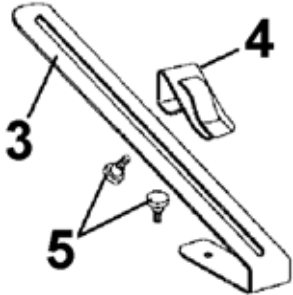
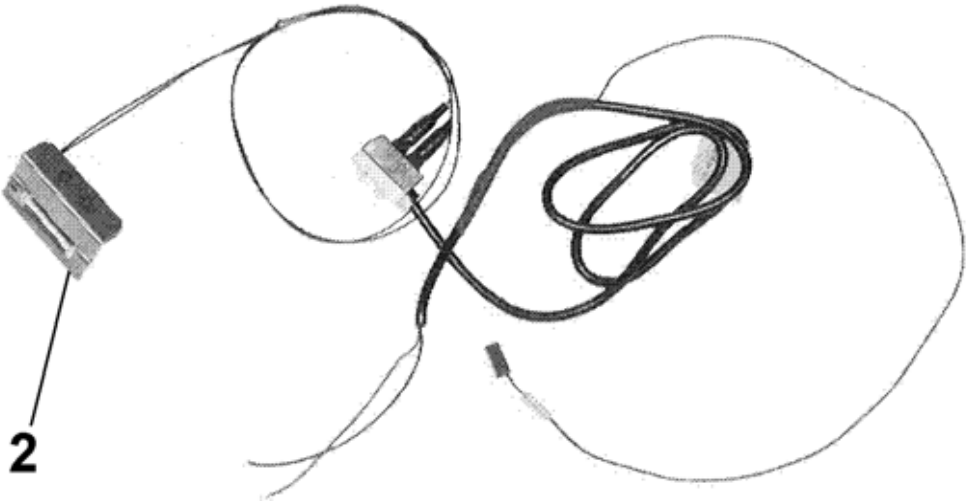
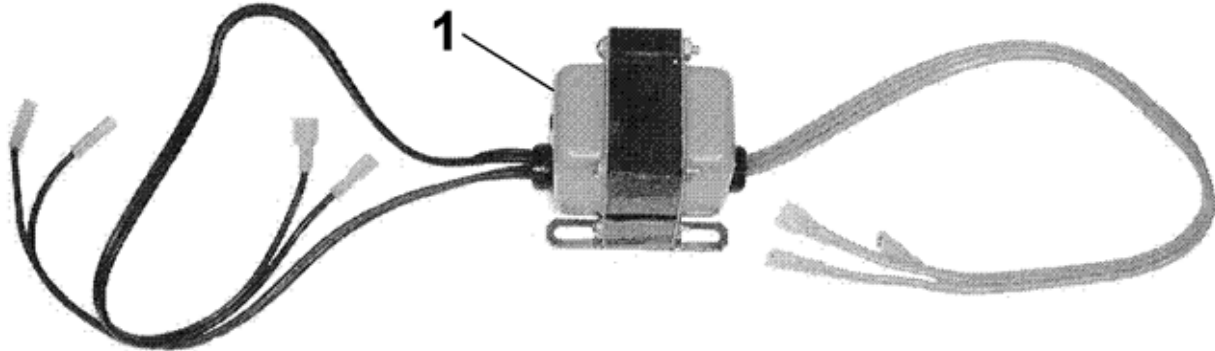


GROUP 7

KEY	PART NO.	DESCRIPTION
1.	90-106-02	SUPPORT COLUMN
2.	90-106-22	TOP CAP
3.	123-0024	SCREW, 10-32 x 3/8
4.	123-0672	PLUG
5.	90-106-24	REEL STACKER BASE ASSEMBLY
6.	123-0524	SCREW, 1/4-20 x 1/2, SOCKET HEAD
7.	71-108-09	THUMB SCREW
8.	90-104-07	GUIDE POSTS
9.	90-104-09	THUMB SCREW
10.	123-0274	SCREW, 6-32 x 3/8
11.	123-1503	SCREW, 10-24 x 3/8 SOC BTN HD CAP
12.	90-106-07	SPRING
13.	80-120-23	SPRING
14.	123-0081	C-CLIP, 1/4
15.	123-0298	SET SCREW, 10-24 x 3/16
16.	90-106-09	BRAKE ARM
17.	90-106-06	SPOOL SUPPORT
18.	90-106-12	LEVER ASSEMBLY
19.	90-106-16	REEL SIDE GUIDE
20.	123-0016	SCREW, 10-24 x 3/8
21.	90-106-11	ROLLER
22.	90-106-19	ROLLER STUD
23.	90-106-10	ROLLER SHAFT
24.	90-106-05	BRAKE SPOOL
25.	123-0446	SCREW, 8-32 x 5/16
26.	90-106-14	COLLAR
27.	123-0673	O-RING
28.	90-106-15	TAB SIDE GUIDE
29.	123-0778	SCREW, 8-32 x 3/8 SOCKET HEAD
30.	90-106-25	CLAMP, REEL ASSEMBLY
31.	91-306-21	TAB GUIDE
32.	123-0237	STAR WASHER, #10
33.	123-0675	SCREW, 6-32 FLAT HEAD WITH UNDERCUT
34.	90-104-06A	GUIDE LABEL
	TR-10	REEL ASSEMBLY*
	TR-50	REEL ASSEMBLY. WIDE FOR RE-POSITIONAL NOTES*

***INCLUDES ALL OF THE ABOVE.**

GROUP 8



KEY	PART NO.	DESCRIPTION
1.	90-104-65	TRANSFORMER 240 VAC (<i>EU UNITS ONLY</i>)
2.	90-104-144	MEDIA SENSOR ASSEMBLY (<i>ATS-9700 ONLY</i>)
3.	90-102-10A	ENVELOPE STACK GUIDE, ATS-9700
4.	90-102-13	REAR ENVELOPE SUPPORT
5.	84-114-34	THUMBSCREW

NORMAL WEAR PARTS

KEY	PART NO.	DESCRIPTION
1.	123-0574	BELT, TAKE-UP SPOOL
2.	123-0573	BELT, 130XLO437
3.	123-0138	BELT, 90XL
4.	123-0576	BELT, 80XLO31
5.	90-102-22	ROLLER ASSEMBLY, INTERMEDIATE RUBBER
6.	90-102-21	FEED ROLLER ASSEMBLY
7.	91-603-32	PRESSURE ROLLER
8.	91-603-27	ROLLER, LABEL PULL
9.	90-103-09	SEPARATOR TIP
10.	90-104-51	SPRING, ROLLER HOLDER
11.	91-604-21	APPLICATOR ROLLER HOLDER, R/H
12.	90-104-20	APPLICATOR ROLLER HOLDER, L/H
13.	90-102-200	ROLLER ASSEMBLY, FRONT
14.	90-102-27	ROLLER, UPPER FORWARDING
15.	123-0717	O-RING

Copyright © 2017 Astro Machine Corp.
Elk Grove Village, Illinois 60007
02/14/2017

P/N: 100-ATS9600 Rev. G