



AstroJet™
AJ3600P/AJ3800P
Printer



PARTS MANUAL

This manual is intended solely for the use and information of Astro Machine Corp., its designated agents, customers, and their employees. The information in this guide was obtained from several different sources that are deemed reliable by all industry standards. To the best of our knowledge, that information is accurate in all respects. However, neither Astro Machine Corp. nor any of its agents or employees shall be responsible for any inaccuracies contained herein.

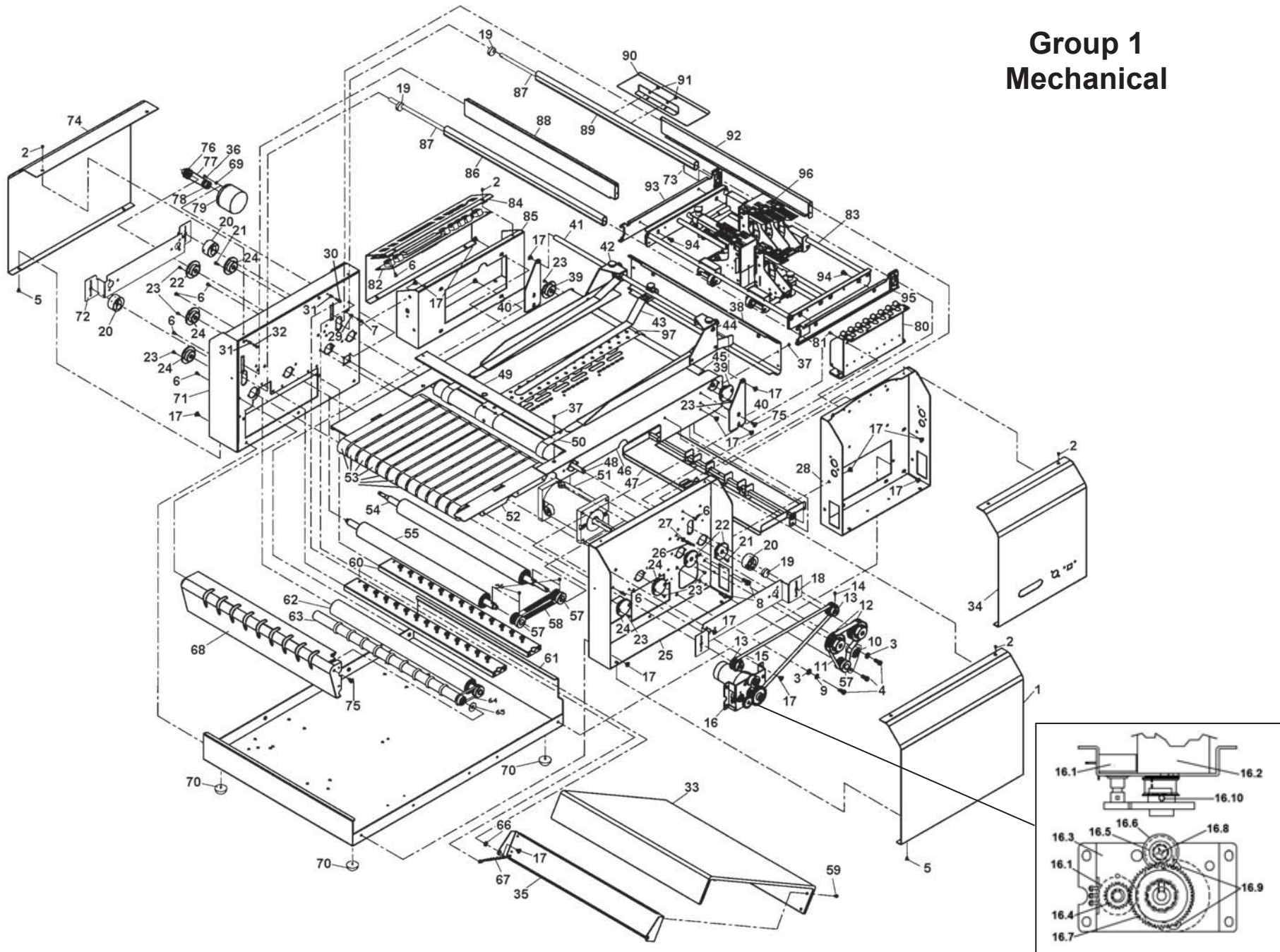
All rights reserved. No part of this book may be reproduced or transmitted in any form or by any means, electronic or mechanical, including photocopying, recording, or any information storage and retrieval system, without permission in writing from the publisher.

Table of Contents

| | |
|---|----------|
| GROUP 1 – AJ3600P/AJ3800P Mechanical | 1 |
| GROUP 2 – AJ3600P/3800P Electrical | 4 |
| GROUP 3 – 6-Head Platform | 7 |
| GROUP 4 – 8-Head Platform | 8 |
| INDEX | 9 |

NOTE: WHEN ORDERING PARTS FROM THIS MANUAL PLEASE CHECK IF THE PRINTER'S OPERATION IS LEFT TO RIGHT OR RIGHT TO LEFT.

Group 1 Mechanical



Group 1 – Mechanical

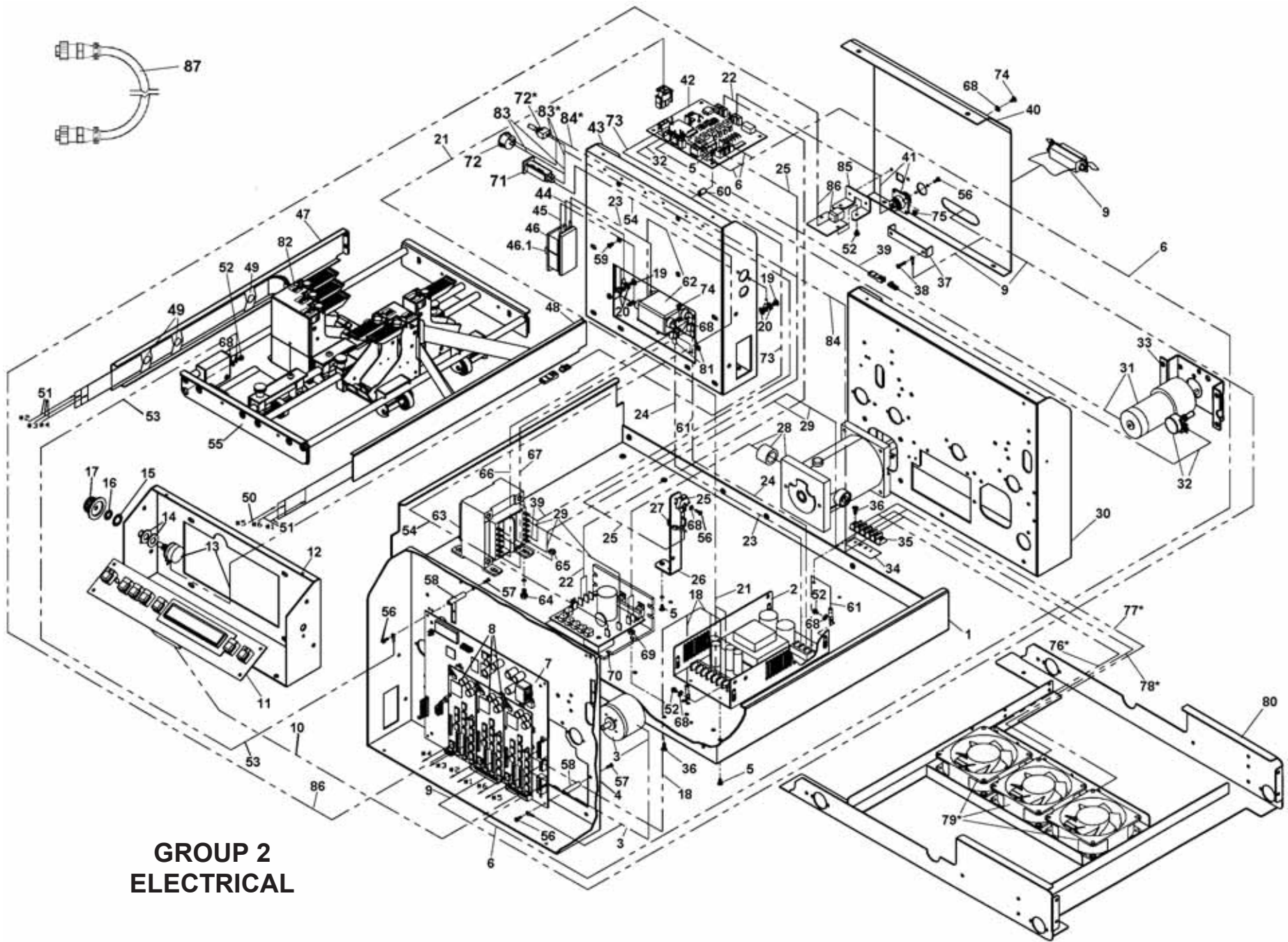
| KEY | PART NO. | DESCRIPTION | QTY |
|-------|-----------|-------------------------------------|----------|
| 1 | 97-620-15 | L/H COVER, SIDE FRAME | 1 |
| 2 | 123-1234 | SCREW, 4-40 x 3/16 | 8 |
| 3 | 123-0064 | LOCK WASHER, 1/4" | 1 |
| 4 | 123-0184 | SCREW, 1/4-20 x 3/4 SOC. HD. | 3 |
| 5 | 123-1135 | SCREW, 6-32 x 1/4 PH TRUSS HD. SS | 8 |
| 6 | 123-0612 | SCREW, 6-32 x 1/4 PAN HD. | 27 |
| 7 | 123-1457 | SCREW, 6-32 x 3/8 SOC. HD. SS | 2 |
| 8 | 95-103-21 | MOTOR SCREW | 2 |
| 9 | 123-0063 | WASHER, PLAIN 1/4" | 2 |
| 10 | 95-103-13 | TENSIONER ASSEMBLY | 1 |
| 11 | 123-0573 | BELT, 130XL043 BLACK | 1 |
| 12 | 95-102-07 | PULLEY, 24 GROOVES | 2 |
| 13 | 94-123-15 | PULLEY, 34 GROOVES | 2 |
| 14 | 123-0322 | SET SCREW, 8-32 x 1/4 SOC. | 2 |
| 15 | 123-1237 | BELT, 40DP, A6B 6-350031 | 1 |
| 16 | 99-104-00 | MOTOR BRACKET ASSEMBLY (L-R) | 1 |
| 16 | 97-104-00 | MOTOR BRACKET ASSEMBLY (R-L) | 1 |
| 16.1 | 20-500-15 | POTENTIOMETER ASSEMBLY (L-R UNITS) | 1 |
| 16.1 | 32-500-15 | POTENTIOMETER ASSEMBLY (R-L UNITS) | 1 |
| 16.2 | 94-500-07 | SERVO MOTOR ASSEMBLY | 1 |
| 16.3 | 94-116-01 | MOTOR BRACKET | 1 |
| 16.4 | 94-116-07 | GEAR ASSEMBLY, 28 TEETH | 1 |
| 16.5 | 94-116-10 | PIN | 1 |
| 16.6 | 94-109-06 | TENSIONER ASSEMBLY | 1 |
| 16.7 | 94-116-02 | MOTOR TRANSMISSION ASSEMBLY | 1 |
| 16.8 | 123-0017 | SCREW, 10-32 x 1/4 PH TRUSS HD. | 2 |
| 16.9 | 123-0875 | SCREW, 10-32 x 1/4 PH FH UNDERCUT | 2 |
| 16.10 | 123-1956 | SET SCREW, 8-32 x 5/16 SOC. HD. | 1 |
| 17 | 123-0017 | SCREW, 10-32 x 1/4 PH TRUSS HD. | 32 |
| 18 | 97-100-29 | L/H BRACKET | 1 |
| 19 | 94-124-13 | ECCENTRIC CAM ASSEMBLY | 4 |
| 20 | 94-124-08 | ECCENTRIC BLOCK SUBASSEMBLY | 4 |
| 21 | 123-0751 | SCREW, 6-32 x 3/8 PH UNDERCUT SS | 4 |
| 22 | 90-101-12 | BEARING HOUSING ASSEMBLY, CLUTCH | 3 |
| 23 | 123-0275 | SCREW, 6-32 x 1/4 OVAL CSK PH ZINC | 16 |
| 24 | 84-121-12 | BEARING CAP ASSEMBLY | 5 |
| 25 | 97-620-04 | L/H SIDE FRAME | 1 |
| 26 | 123-1175 | SET SCREW, 10-32 x 5/8 W/INSERT | 4 |
| 27 | 123-0050 | NUT, 10-32 x 5/16 HEX ZINC | 4 |
| 28 | 97-620-03 | ELECTRIC CABINET | 1 |
| 29 | 20-100-38 | SPACER | 2 |
| 30 | 22-100-36 | SCREW, SPRING | 2 |
| 31 | 20-100-37 | SPACER | 4 |
| 32 | 20-100-36 | SCREW (STOPPER) | 2 |
| 33 | 97-600-27 | ASSEMBLY, TOP COVER | 1 |
| 34 | 97-620-16 | ELECTRICAL CABINET COVER, USB | 1 |
| 35 | 97-600-26 | COVER HOLDER | 1 |

| KEY | PART NO. | DESCRIPTION | QTY |
|-----|------------|---|-----|
| 36 | 123-1023 | SCREW, 4-40 x 5/16 PH UNDERCUT PH SS | 4 |
| 37 | 123-0675 | SCREW, 6-32 x 3/16 PH FH UNDERCUT SS | 6 |
| 38 | 95-101-04 | CLOSURE, CONVEYOR | 1 |
| 39 | 95-104-14 | BEARING HOUSING ASSEMBLY (CONVEYOR) | 2 |
| 40 | 95-105-08 | BRACKET, MOUNTING | 2 |
| 41 | 95-105-15 | BAR, CROSS | 1 |
| 42 | 95-105-21 | PAPER GUIDE ASSEMBLY, R/H | 1 |
| 43 | 95-105-24 | PAPER RETAINER ASSEMBLY | 1 |
| 44 | 95-105-20 | PAPER GUIDE ASSEMBLY, L/H | 1 |
| 45 | 95-101-10 | ROLLER ASSEMBLY, CONVEYOR | 1 |
| 46 | 97-600-09 | CONVEYOR BODY ASSEMBLY | 1 |
| 47 | 97-600-19 | BELT SIDE GUIDE ASSEMBLY | 1 |
| 48 | 95-101-12 | ROLLER ASSEMBLY, CONVEYOR-DRIVE | 1 |
| 49 | 95-100-18 | CLOSURE, MIDDLE | 1 |
| 50 | 123-0605 | CONVEYOR BELT, 3/4x 36.241 | 2 |
| 51 | 97-500-228 | MOTOR ASSEMBLY | 1 |
| 52 | 97-100-19 | CENTER PLATE | 1 |
| 53 | 97-107-05 | ENDLESS ELASTIC BELT 0.9380 x 21.489 | 12 |
| 54 | 95-101-13 | ROLLER ASSEMBLY, DRIVE | 1 |
| 55 | 97-101-11 | IDLER ROLLER | 1 |
| 56 | 123-0298 | SET SCREW, 10-24 x 3/16 SOC. PT. | 2 |
| 57 | 65-303-01 | MOTOR PULLEY ASSEMBLY, 14 GROOVES | 3 |
| 58 | 123-0771 | BELT, 120XL037 NEOPRENE GLASS | 1 |
| 59 | 123-0683 | SCREW, 6-32 x 5/16 FH.Undercut PH SS | 4 |
| 60 | 95-100-22 | BELTS, SIDE GUIDE ASSEMBLY | 2 |
| 61 | 97-620-12 | MOTOR BASE | 1 |
| 62 | 95-101-09 | IDLER ROLLER ASSEMBLY | 1 |
| 63 | 95-100-26 | ROLLER ASSEMBLY, DELIVERY | 1 |
| 64 | 123-1085 | O-RING, 1/8 x 6.0 POLYURETHANE | 1 |
| 65 | 123-0311 | WASHER, PLASTIC 9/32 x 3/4 x 1/16 | 1 |
| 66 | 21-108-08 | SPACER, TOP COVER | 2 |
| 67 | 20-103-06 | SPRING, TOP COVER | 2 |
| 68 | 95-100-17 | CLOSURE, FRONT | 1 |
| 69 | 123-0261 | STAR WASHER, #4 EXTERNAL | 4 |
| 70 | 123-0620 | FOOT, RUBBER | 4 |
| 71 | 97-620-05 | R/H SIDE FRAME | 1 |
| 72 | 97-100-30 | R/H BRACKET | 1 |
| 73 | 97-100-70 | SPRING | 4 |
| 74 | 97-620-14 | R/H COVER - SIDE FRAME | 1 |
| 75 | 123-0024 | SCREW, 10-32 x 3/8 PH TRUSS HD. | 4 |
| 76 | 123-1087 | PULLEY, 40DP | 1 |
| 77 | 123-0984 | BELT | 1 |
| 78 | 123-0994 | PULLEY, 40 DP | 1 |
| 79 | 22540-11 | ENCODER ASSEMBLY | 1 |
| 80 | 23-150-01 | CARTRIDGE HOLDER (8) ASSEMBLY | 1 |
| 81 | 123-1178 | SCREW, 6-32 x 1/4 FL HD. UNDERCUT PH SS | 2 |
| 82 | 94-100-10 | CONTROL PANEL, PRINTER REV.2 | 1 |

Group 1 – Mechanical

| KEY | PART NO. | DESCRIPTION | QTY |
|-----|-----------|--|-----|
| 83 | 97-142-00 | PLATFORM, 3 HEAD, 6 CRTRDG. (<i>SEE GROUP 3</i>) | 1 |
| 83 | 97-141-00 | PLATFORM, 4 HEAD, 8 CRTRDG. (<i>SEE GROUP 4</i>) | 1 |
| 84 | 97-620-08 | CONTROL PANEL COVER, | 1 |
| 85 | 97-620-09 | CONTROL PANEL CABINET | 1 |
| 86 | 95-104-09 | BAR, CROSS | 1 |
| 87 | 95-104-12 | SHAFT, ECCENTRIC | 2 |
| 88 | 97-100-50 | REAR CABLE BRACKET | 1 |
| 89 | 97-124-08 | CROSS BAR | 1 |
| 90 | 97-124-21 | SENSOR COVER WELDMENT | 1 |
| 91 | 123-0127 | SCREW, 6-32 x 1/8 PH PAN HD. | 2 |
| 92 | 97-100-49 | FRONT CABLE BRACKET | 1 |
| 93 | 97-100-21 | R/H BEAM ASSEMBLY | 1 |
| 94 | 123-1210 | SCREW, 10-32 x 3/8 SOC. CAP BTN. HD, BLACK | 4 |
| 95 | 97-100-22 | L/H BEAM ASSEMBLY | 1 |
| 96 | 20-150-26 | DECAL, NUMBERS 1-8 | 1 |
| 97 | 97-601-11 | CONVEYOR ENDLESS BELT | 1 |

NOT SHOWN: 97-550-03 DECAL, NAME AJ 3600
97-550-01 DECAL, NAME AJ 3800



**GROUP 2
ELECTRICAL**

GROUP 2 – ELECTRICAL

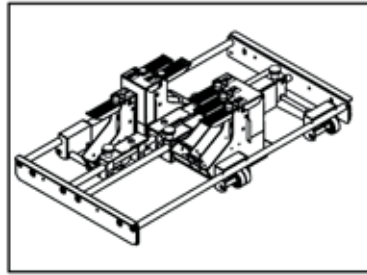
| KEY | PART NO. | DESCRIPTION | QTY |
|-------|------------|---|------|
| 1. | 97-620-12 | MOTOR BASE | 1 |
| 2. | 123-1313P | 14V POWER SUPPLY | 1 |
| 3. | 22-540-11 | ENCODER ASSEMBLY. | 1 |
| 4. | 97-600-05 | R/H SIDE FRAME | 1 |
| 5. | 123-0612 | SCREW, 6-32 x 1/4 PAN HD. | 10 |
| 6. | AD408 | CABLE, POWER DRIVER | 1 |
| 7. | 97-500-510 | PROCESSOR PC BOARD (3600P LEFT TO RIGHT) | 1 |
| 7. | 97-500-520 | PROCESSOR PC BOARD (3800P LEFT TO RIGHT) | 1 |
| 7. | 97-500-515 | PROCESSOR PC BOARD (3600P RIGHT TO LEFT) | |
| 7. | 97-500-525 | PROCESSOR PC BOARD (3800P RIGHT TO LEFT) | |
| 8. | 97-500-01 | PRINT HEAD, DRIVER PCB (HP45) | 3or4 |
| 9. | 97-500-18 | WIRE HARNESS, CENTRONICS CABLE | 1 |
| 10. | AD409 | CABLE, CONTROL PANEL | 1 |
| 11. | 94-100-10 | CONTROL PANEL, PRINTER REV. 2 | 1 |
| 12. | 97-620-09 | CONTROL PANEL CABINET | 1 |
| 13. | 21-500-09 | POTENTIOMETER ASSEMBLY, HEIGHT ADJUST. | 1 |
| 14. | 123-0096 | WASHER, PLASTIC 3/8 x 3/4 x 1/16 | 2 |
| 15. | 123-0085 | LOCK WASHER, INTERNAL TOOTH 3/8 SS | 1 |
| 16. | 123-0086 | NUT, 3/8-32 x 1/2 x 3/32 HEX SS | 1 |
| 17. | 123-0390 | KNOB, SPEED CONTROL | 1 |
| 18. | AD407 | CABLE, POWER SUPPLY | 1 |
| 19. | 123-0017 | SCREW, 10-32 x 1/4 PH TRUSS HD. | 2 |
| 20. | 123-0237 | STAR WASHER, #10 EXTERNAL | 4 |
| 21. | 99-750-06 | WIRE HARNESS, POWER SUPPLY-POWER BOARD | 1 |
| 22*** | 22-500-07 | WIRE HARNESS, SPEED CONTROL/IF BOARD | 1 |
| 23. | 97-500-215 | WIRE HARNESS, FILTER/POWER SUPPLY (L-R) | 1 |
| 23. | 97-500-220 | WIRE HARNESS, FILTER/POWER SUPPLY (R-L) | 1 |
| 24. | 97-500-216 | WIRE HARNESS, FILTER/POWER SUPPLY (L-R) | 1 |
| 24. | 97-500-221 | WIRE HARNESS, FILTER/POWER SUPPLY (R-L) | 1 |
| 25. | 99-750-11 | MEDIA SENSOR ASSEMBLY | 1 |
| 26. | 97-100-43 | SENSOR BRACKET | 1 |
| 27. | 123-0113 | TIES, PLASTIC | 2 |
| 28. | 97-500-228 | MOTOR ASSEMBLY | 1 |
| 29. | 97-500-223 | WIRE HARNESS, TRANS.-SPEED CONTROL | 1 |
| 30. | 97-620-04 | L/H SIDE FRAME | 1 |
| 31. | 94-500-07 | SERVO MOTOR ASSEMBLY | 1 |
| 32. | 20-500-15 | POTENTIOMETER ASSEMBLY, SERVO MOTOR (L-R) | 1 |
| 32. | 32-500-15 | POTENTIOMETER ASSEMBLY, SERVO MOTOR (R-L) | |
| 33. | 94-116-01 | MOTOR BRACKET | 1 |
| 34. | 27-550-02 | TERM. STRIP | 1 |
| 35. | 123-1095 | TERM. BLOCK | 1 |
| 36. | 123-0274 | SCREW, 6-32 x 3/8 TRUSS HD. PH SS | 6 |
| 37. | 97-100-65 | CABLE CONNECTOR BRACKET | 1 |
| 38. | 123-0928 | SCREW, 4-40 x 1/2 PH BIND HD. | 2 |
| 39. | 21-500-17 | WIRE HARNESS, EXTENSION | 1 |
| 40. | 97-620-16 | ELECTRICAL CABINET COVER, USB | 1 |
| 41. | 20-500-18 | WIRE HARNESS, INTERFACE | 1 |

| KEY | PART NO. | DESCRIPTION | QTY |
|------|------------|---|-----|
| 42. | 99-750-30 | PCB, MOTOR CONTROLLER, PRINTER | 1 |
| 43. | 97-620-03 | ELECTRIC CABINET | 1 |
| 44. | 94-500-02 | WIRE HARNESS, POWER INLET - GROUND | 1 |
| 45. | 97-500-211 | WIRE HARNESS, POWER. INLET - FILTER | 1 |
| 46. | 123-0565 | MODULE, POWER ENTRY | 1 |
| 46.1 | 123-1244 | FUSE, 1.6 AMP (1 INSTALLED, 1 SPARE) | 2 |
| 47. | 97-100-49 | FRONT CABLE BRACKET | 1 |
| 48. | 97-100-50 | REAR CABLE BRACKET | 1 |
| 49. | 97-100-48 | CABLE SPRING | 6 |
| 50. | 97-500-22 | FLEXIBLE CIRCUIT | 2 |
| 51. | 97-500-21 | FLEXIBLE CIRCUIT | 4 |
| 52. | 123-0461 | SCREW, 6-32 x 3/16 PH RND. HD. SS | 5 |
| 53. | 97-500-23 | WIRE HARNESS, HEAD'S NEST-GROUND (L-R) | 1 |
| 54. | 97-500-218 | WIRE HARNESS, C/B, SPEED CONTROL (L-R) | 1 |
| 54. | 97-500-224 | WIRE HARNESS, C/B, SPEED CONTROL (R-L) | 1 |
| 55. | 97-142-00 | PLATFORM, 6 CTG. (SEE GROUP 3) | 1 |
| 55. | 97-141-00 | PLATFORM, 8 CTG. (SEE GROUP 4) | 1 |
| 56. | 123-1023 | SCREW, 4-40 x 5/16 PH UNDERCUT PH SS | 7 |
| 57. | 123-1255 | SCREW, 4-40 x 5/16 PH UNDERCUT PH SS | 4 |
| 58. | 97-600-18 | STAND-OFF | 4 |
| 59. | 123-1178 | SCREW, 6-32 x 1/4 FL. HD. UNDERCUT PH. SS | 4 |
| 60. | 95-100-32 | SUPPORT, PC BOARD | 4 |
| 61. | 97-500-230 | WIRE HARNESS, POWER SUPPLY-GROUND | 1 |
| 62. | 97-500-229 | FILTER ASSEMBLY | 1 |
| 63. | 123-1563 | TRANSFORMER, A41-175-230 | 1 |
| 64. | 123-1761 | SCREW, 10-32 x 3/8 HEX HD. | 4 |
| 65. | 123-0050 | NUT, 10-32 x 5/16 HEX | 4 |
| 66. | 97-500-213 | WIRE HARNESS, FILTER-TRANS. (L-R) | 1 |
| 66. | 97-500-226 | WIRE HARNESS, FILTER-TRANS. (R-L) | 1 |
| 67. | 97-500-214 | WIRE HARNESS, FILTER-TRANS. (L-R) | 1 |
| 67. | 97-500-227 | WIRE HARNESS, FILTER-TRANS. (R-L) | 1 |
| 68. | 123-0252 | STAR WASHER, #6 EXTERNAL ZINC | 8 |
| 69. | 123-0192 | NUT, HEX 6-32 | 4 |
| 70. | 97-565-10 | SPEED CONTROL | 1 |
| 71. | 123-1104 | BREAKER, CIRCUIT | 1 |
| 72. | 123-1920 | SWITCH, ROCKER STANDARD DPST (ON-OFF) | 1 |
| 73. | 21-500-22 | WIRE HARNESS, EXTENSION | 1 |
| 74. | 123-1135 | SCREW, 6-32 x 1/4 PH TRUSS HD. SS | 4 |
| 75. | 123-0425 | NUT, HEX 4-40 | 2 |
| 76* | 97-500-101 | WIRE HARNESS ASSEMBLY, FAN-01 CORD | 1 |
| 77* | 97-500-102 | WIRE HARNESS ASSEMBLY, FAN-02 CORD | 1 |
| 78* | 97-500-103 | WIRE HARNESS ASSEMBLY, FAN-03 CORD | 1 |
| 79* | 123-1914 | FAN, 115V TYPE 3610PS-12T-B30A00 | 3 |
| 80. | 97-600-09 | CONVEYOR BODY ASSEMBLY | 1 |
| 81. | 123-0606 | CONNECTOR, DOUBLE #31N2519 | 2 |
| 82. | 20-150-26 | DECAL, NUMBERS 1-8 | 1 |

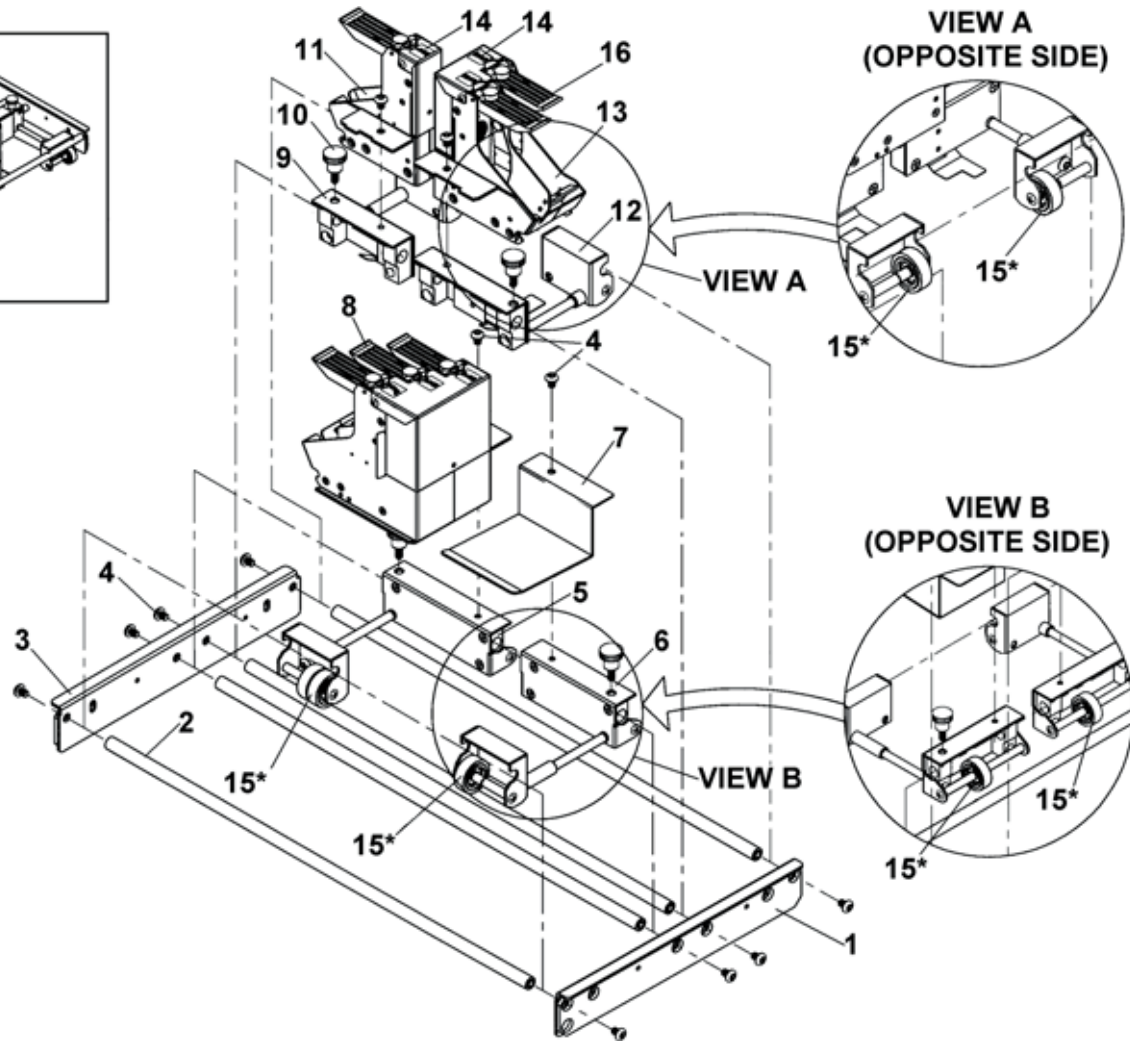
* - PART OF 97-600-09 CONVEYOR BODY ASSEMBLY ** - NOT SHOWN *** - HJ3600P/3800P (L-R) REQUIRES P/N 21-500-17 AND HJ3600PE/3800PE (R-L) REQUIRES P/N 32-500-17

GROUP 2 – ELECTRICAL

| KEY | PART NO. | DESCRIPTION | QTY |
|-----|------------|--|-----|
| 83. | 97-500-219 | WIRE HARNESS, TRANS.- C/B-FAN SWITCH (L-R) | 1 |
| 83. | 97-500-222 | WIRE HARNESS, TRANS.- C/B-FAN SWITCH (R-L) | 1 |
| 84. | 97-500-217 | WIRE HARNESS, FAN SWITCH- TB (L-R) | 1 |
| 84. | 97-500-225 | WIRE HARNESS, FAN SWITCH- TB (R-L) | 1 |
| 85. | 20-100-128 | BRACKET, USB PORT | 1 |
| 86. | 20-500-139 | WIRE HARNESS, USB CONNECTOR, 3FT (L-R) | 1 |
| 86. | 20-500-138 | WIRE HARNESS, USB CONNECTOR, 1FT (R-L) | 1 |
| 87. | 97-500-250 | INTERFACE CABLE FEEDER-PRINTER | 1 |
| ** | 123-0635 | CORD, POWER 115V | 1 |
| ** | 123-0735 | CORD, POWER 220V | 1 |



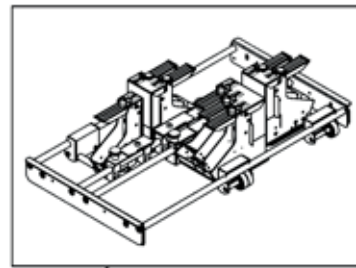
GROUP 3 6-HEAD PLATFORM



| KEY | PART NO. | DESCRIPTION | QTY |
|-----|-----------|--|-----|
| 1. | 97-100-57 | L/H BEAM WELDMENT | 1 |
| 2. | 97-100-27 | ROD | 4 |
| 3. | 97-100-58 | R/H BEAM WELDMENT | 1 |
| 4. | 123-1206 | SCREW, 10-32 x 1/4 BTN. HD. SOC. CAP | 12 |
| 5. | 97-323-24 | FRONT BRIDGE ASSEMBLY | 1 |
| 6. | 97-322-24 | FRONT BRIDGE ASSEMBLY | 1 |
| 7. | 23-322-50 | PAPER GUIDE | 1 |
| 8. | 23-323-00 | HEAD ASSEMBLY, 3-CARTRIDGES (HEADS 2, 3 & 4) | 1 |

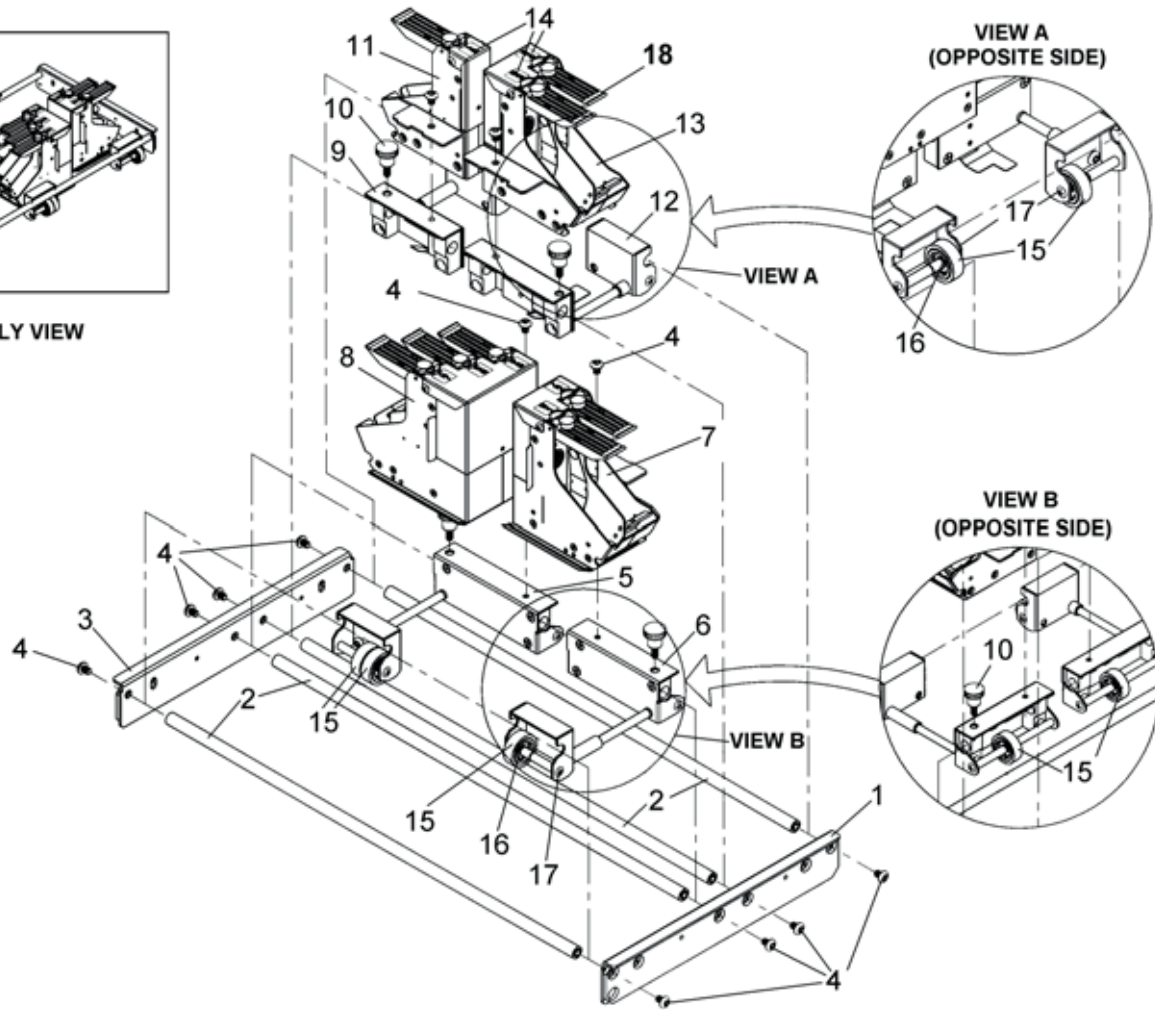
| KEY | PART NO. | DESCRIPTION | QTY |
|------|-----------|--------------------------------------|-----|
| 9. | 97-331-24 | ONE HEAD CARRIER ASSEMBLY | 1 |
| 10. | 94-124-28 | SCREW ASSEMBLY, HEAD PLATFORM | 4 |
| 11. | 23-331-00 | SINGLE CARTRIDGE HEAD (HEAD 1) | 1 |
| 12. | 97-332-24 | TWO HEAD CARRIER ASSEMBLY | 1 |
| 13. | 23-332-00 | 2 CARTRIDGES HEAD (HEAD 5 & 6) | 1 |
| 14. | 20-150-26 | DECAL, NUMBERS 1-8 (AJ3600P/AJ3800P) | 1 |
| 14. | 123-1762 | DECAL, NUMBERS 1-8 (AJ3600/AJ3800) | 1 |
| 15*. | 97-115-02 | WHEEL ASSEMBLY | 5 |
| 16. | 20-201-22 | PRINthead LOCKING LEVER REPL. KIT | 1 |

*- 97-115-02 IS PART OF ASSY. 97-322-24, 97-323-24, 97-331-24 AND 97-332-24



ASSEMBLY VIEW

GROUP 4 8-HEAD PLATFORM



| KEY | PART NO. | DESCRIPTION | QTY. |
|-----|-----------|--|------|
| 1. | 97-100-57 | L/H BEAM WELDMENT | 1 |
| 2. | 97-100-27 | ROD | 4 |
| 3. | 97-100-58 | R/H BEAM WELDMENT | 1 |
| 4. | 123-1206 | SCREW, 10-32 x 1/4 BTN. HD. SOC. CAP | 12 |
| 5. | 97-323-24 | FRONT BRIDGE ASSEMBLY | 1 |
| 6. | 97-322-24 | FRONT BRIDGE ASSEMBLY | 1 |
| 7. | 23-322-00 | 2 CARTRIDGES HEAD (HEAD 7 & 8) | 1 |
| 8. | 23-323-00 | HEAD ASSEMBLY, 3-CARTRIDGES (HEADS 2, 3 & 4) | 1 |
| 9. | 97-331-24 | ONE HEAD CARRIER ASSEMBLY | 1 |

| KEY | PART NO. | DESCRIPTION | QTY. |
|------|-----------|--------------------------------------|------|
| 10. | 94-124-28 | SCREW ASSEMBLY, HEAD PLATFORM | 4 |
| 11. | 23-331-00 | SINGLE CARTRIDGE HEAD (HEAD 1) | 1 |
| 12. | 97-332-24 | TWO HEAD CARRIER ASSEMBLY | 1 |
| 13. | 23-332-00 | 2 CARTRIDGES HEAD (HEAD 5 & 6) | 1 |
| 14. | 20-150-26 | DECAL, NUMBERS 1-8 (AJ3600P/AJ3800P) | 1 |
| 14. | 123-1762 | DECAL, NUMBERS 1-8 (AJ3600/AJ3800) | 1 |
| 15*. | 97-115-02 | WHEEL ASSEMBLY | 7 |
| 16*. | 123-0257 | RETAINING RING, TYPE SH | 12 |
| 17*. | 123-1135 | SCREW, 6-32 x 1/4 PH TRUSS HD. | 12 |
| 18. | 20-201-22 | PRINthead LOCKING LEVER REPL. KIT | 1 |

*- 97-115-02 IS PART OF ASSY. 97-322-24, 97-323-24, 97-331-24 AND 97-332-24

INDEX

| PART NO. | GROUP | KEY | PART NO. | GROUP | KEY |
|----------|-------|------|------------|-------|-------|
| 123-0017 | 1 | 16.8 | 123-1104 | 2 | 71 |
| 123-0017 | 1 | 17 | 123-1135 | 4 | 17 |
| 123-0017 | 2 | 19 | 123-1135 | 1 | 5 |
| 123-0024 | 1 | 75 | 123-1135 | 2 | 74 |
| 123-0050 | 1 | 27 | 123-1175 | 1 | 26 |
| 123-0050 | 2 | 65 | 123-1178 | 1 | 81 |
| 123-0063 | 1 | 9 | 123-1178 | 2 | 59 |
| 123-0064 | 1 | 3 | 123-1206 | 3 | 4 |
| 123-0085 | 2 | 15 | 123-1206 | 4 | 4 |
| 123-0086 | 2 | 16 | 123-1210 | 1 | 94 |
| 123-0096 | 2 | 14 | 123-1234 | 1 | 2 |
| 123-0113 | 2 | 27 | 123-1237 | 1 | 15 |
| 123-0127 | 1 | 91 | 123-1244 | 2 | 46.1 |
| 123-0182 | 1 | 4 | 123-1255 | 2 | 57 |
| 123-0237 | 2 | 20 | 123-1313P | 2 | 2 |
| 123-0252 | 2 | 68 | 123-1457 | 1 | 7 |
| 123-0257 | 4 | 16 | 123-1563 | 2 | 63 |
| 123-0261 | 1 | 69 | 123-1761 | 2 | 64 |
| 123-0274 | 2 | 36 | 123-1762 | 3 | 14 |
| 123-0275 | 1 | 23 | 123-1762 | 4 | 14 |
| 123-0298 | 1 | 56 | 123-1914 | 2 | 79 |
| 123-0311 | 1 | 65 | 123-1920 | 2 | 72 |
| 123-0322 | 1 | 14 | 123-1956 | 1 | 16.10 |
| 123-0390 | 2 | 17 | 20-100-36 | 1 | 32 |
| 123-0390 | 2B | 17 | 20-100-37 | 1 | 31 |
| 123-0425 | 2 | 75 | 20-100-38 | 1 | 29 |
| 123-0461 | 2 | 52 | 20-100-128 | 2 | 85 |
| 123-0573 | 1 | 11 | 20-103-06 | 1 | 67 |
| 123-0565 | 2 | 46 | 20-150-26 | 3 | 14 |
| 123-0605 | 1 | 50 | 20-150-26 | 4 | 14 |
| 123-0606 | 2 | 81 | 20-150-26 | 1 | 96 |
| 123-0612 | 1 | 6 | 20-150-26 | 2 | 82 |
| 123-0612 | 2 | 5 | 20-201-22 | 3 | 16 |
| 123-0620 | 1 | 70 | 20-201-22 | 4 | 18 |
| 123-0635 | 2 | | 20-500-15 | 1 | 16.1 |
| 123-0675 | 1 | 37 | 20-500-15 | 2 | 32 |
| 123-0683 | 1 | 59 | 20-500-18 | 2 | 41 |
| 123-0735 | 2 | | 20-500-138 | 2 | 86 |
| 123-0751 | 1 | 21 | 20-500-139 | 2 | 86 |
| 123-0771 | 1 | 58 | 21-108-08 | 1 | 66 |
| 123-0875 | 1 | 16.9 | 21-500-09 | 2 | 13 |
| 123-0928 | 2 | 38 | 21-500-17 | 2 | 39 |
| 123-0984 | 1 | 77 | 21-500-22 | 2 | 73 |
| 123-0994 | 1 | 78 | 22-100-36 | 1 | 30 |
| 123-1023 | 1 | 36 | 22-540-11 | 1 | 79 |
| 123-1023 | 2 | 56 | 22-540-11 | 2 | 3 |
| 123-1085 | 1 | 64 | 22-500-07 | 2 | 22 |
| 123-1087 | 1 | 76 | 23-150-01 | 1 | 80 |
| 123-1095 | 2 | 35 | 23-322-00 | 4 | 7 |

INDEX

| PART NO. | GROUP | KEY | PART NO. | GROUP | KEY |
|-----------|-------|------|------------|-------|-----|
| 23-322-50 | 3 | 7 | 95-105-24 | 1 | 43 |
| 23-323-00 | 3 | 8 | 97-100-19 | 1 | 52 |
| 23-323-00 | 4 | 8 | 97-100-21 | 1 | 93 |
| 23-331-00 | 3 | 11 | 97-100-22 | 1 | 95 |
| 23-331-00 | 4 | 11 | 97-100-27 | 3 | 2 |
| 23-332-00 | 3 | 13 | 97-100-27 | 4 | 2 |
| 23-332-00 | 4 | 13 | 97-100-29 | 1 | 18 |
| 27-550-02 | 2 | 34 | 97-100-30 | 1 | 72 |
| 32-500-15 | 1 | 16.1 | 97-100-43 | 2 | 26 |
| 32-500-15 | 2 | 32 | 97-100-48 | 2 | 49 |
| 65-303-01 | 1 | 57 | 97-100-49 | 1 | 92 |
| 84-121-12 | 1 | 24 | 97-100-49 | 2 | 47 |
| 90-101-12 | 1 | 22 | 97-100-50 | 1 | 88 |
| 94-100-10 | 1 | 82 | 97-100-50 | 2 | 48 |
| 94-100-10 | 2 | 11 | 97-100-57 | 3 | 1 |
| 94-109-06 | 1 | 16.6 | 97-100-57 | 4 | 1 |
| 94-116-01 | 1 | 16.3 | 97-100-58 | 3 | 3 |
| 94-116-01 | 2 | 33 | 97-100-58 | 4 | 3 |
| 94-116-02 | 1 | 16.7 | 97-100-65 | 2 | 37 |
| 94-116.07 | 1 | 16.4 | 97-100-70 | 1 | 73 |
| 94-116-10 | 1 | 16.5 | 97-101-12 | 1 | 55 |
| 94-123-15 | 1 | 13 | 97-104-00 | 1 | 16 |
| 94-124-08 | 1 | 20 | 97-107-05 | 1 | 53 |
| 94-124-13 | 1 | 19 | 97-115-02 | 3 | 15 |
| 94-124-28 | 3 | 10 | 97-115-02 | 4 | 15 |
| 94-124-28 | 4 | 10 | 97-124-08 | 1 | 89 |
| 94-500-02 | 2 | 44 | 97-124-21 | 1 | 90 |
| 94-500-07 | 1 | 16.2 | 97-141-00 | 1 | 83 |
| 94-500-07 | 2 | 31 | 97-141-00 | 2 | 55 |
| 95-100-17 | 1 | 68 | 97-142-00 | 1 | 83 |
| 95-100-18 | 1 | 49 | 97-142-00 | 2 | 55 |
| 95-100-22 | 1 | 60 | 97-322-24 | 3 | 6 |
| 95-100-26 | 1 | 63 | 97-322-24 | 4 | 6 |
| 95-100-32 | 2 | 60 | 97-323-24 | 3 | 5 |
| 95-101-04 | 1 | 38 | 97-323-24 | 4 | 5 |
| 95-101-09 | 1 | 62 | 97-331-24 | 3 | 9 |
| 95-101-10 | 1 | 45 | 97-331-24 | 4 | 9 |
| 95-101-12 | 1 | 48 | 97-332-24 | 3 | 12 |
| 95-101-13 | 1 | 54 | 97-332-24 | 4 | 12 |
| 95-102-07 | 1 | 12 | 97-500-01 | 2 | 8 |
| 95-103-13 | 1 | 10 | 97-500-18 | 2 | 9 |
| 95-103-21 | 1 | 8 | 97-500-21 | 2 | 51 |
| 95-104-09 | 1 | 86 | 97-500-22 | 2 | 50 |
| 95-104-12 | 1 | 87 | 97-500-23 | 2 | 53 |
| 95-104-14 | 1 | 39 | 97-500-101 | 2 | 76 |
| 95-105-08 | 1 | 40 | 97-500-102 | 2 | 77 |
| 95-105-15 | 1 | 41 | 97-500-103 | 2 | 78 |
| 95-105-20 | 1 | 44 | 97-500-211 | 2 | 45 |
| 95-105-21 | 1 | 42 | 97-500-213 | 2 | 66 |

INDEX

| PART NO. | GROUP | KEY | PART NO. | GROUP | KEY |
|-----------------|--------------|------------|-----------------|--------------|------------|
| 97-500-214 | 2 | 67 | 99-750-11 | 2 | 25 |
| 97-500-215 | 2 | 23 | 99-750-30 | 2 | 42 |
| 97-500-216 | 2 | 24 | AD407 | 2 | 18 |
| 97-500-217 | 2 | 84 | AD408 | 2 | 6 |
| 97-500-218 | 2 | 54 | AD409 | 2 | 10 |
| 97-500-219 | 2 | 83 | | | |
| 97-500-220 | 2 | 23 | | | |
| 97-500-221 | 2 | 24 | | | |
| 97-500-222 | 2 | 83 | | | |
| 97-500-223 | 2 | 29 | | | |
| 97-500-224 | 2 | 54 | | | |
| 97-500-225 | 2 | 84 | | | |
| 97-500-226 | 2 | 66 | | | |
| 97-500-227 | 2 | 67 | | | |
| 97-500-228 | 1 | 51 | | | |
| 97-500-228 | 2 | 28 | | | |
| 97-500-229 | 2 | 62 | | | |
| 97-500-230 | 2 | 61 | | | |
| 97-500-510 | 2 | 7 | | | |
| 97-500-515 | 2 | 7 | | | |
| 97-500-520 | 2 | 7 | | | |
| 97-500-525 | 2 | 7 | | | |
| 97-550-01 | 1 | | | | |
| 97-550-03 | 1 | | | | |
| 97-565-10 | 2 | 70 | | | |
| 97-600-09 | 1 | 46 | | | |
| 97-600-09 | 2 | 80 | | | |
| 97-600-18 | 2 | 58 | | | |
| 97-600-19 | 1 | 47 | | | |
| 97-600-26 | 1 | 35 | | | |
| 97-600-27 | 1 | 33 | | | |
| 97-601-11 | 1 | 97 | | | |
| 97-620-03 | 1 | 28 | | | |
| 97-620-03 | 2 | 43 | | | |
| 97-620-04 | 1 | 25 | | | |
| 97-620-04 | 2 | 30 | | | |
| 97-620-05 | 1 | 71 | | | |
| 97-620-05 | 2 | 4 | | | |
| 97-620-08 | 1 | 84 | | | |
| 97-620-09 | 1 | 85 | | | |
| 97-620-09 | 2 | 12 | | | |
| 97-620-12 | 1 | 61 | | | |
| 97-620-12 | 2 | 1 | | | |
| 97-620-14 | 1 | 74 | | | |
| 97-620-15 | 1 | 1 | | | |
| 97-620-16 | 1 | 34 | | | |
| 97-620-16 | 2 | 40 | | | |
| 99-104-00 | 1 | 16 | | | |
| 99-750-06 | 2 | 21 | | | |



Copyright © 2016 All rights reserved.
01/05/2016

Part Number: 100-AJ3600/AJ3800 Rev. M

