

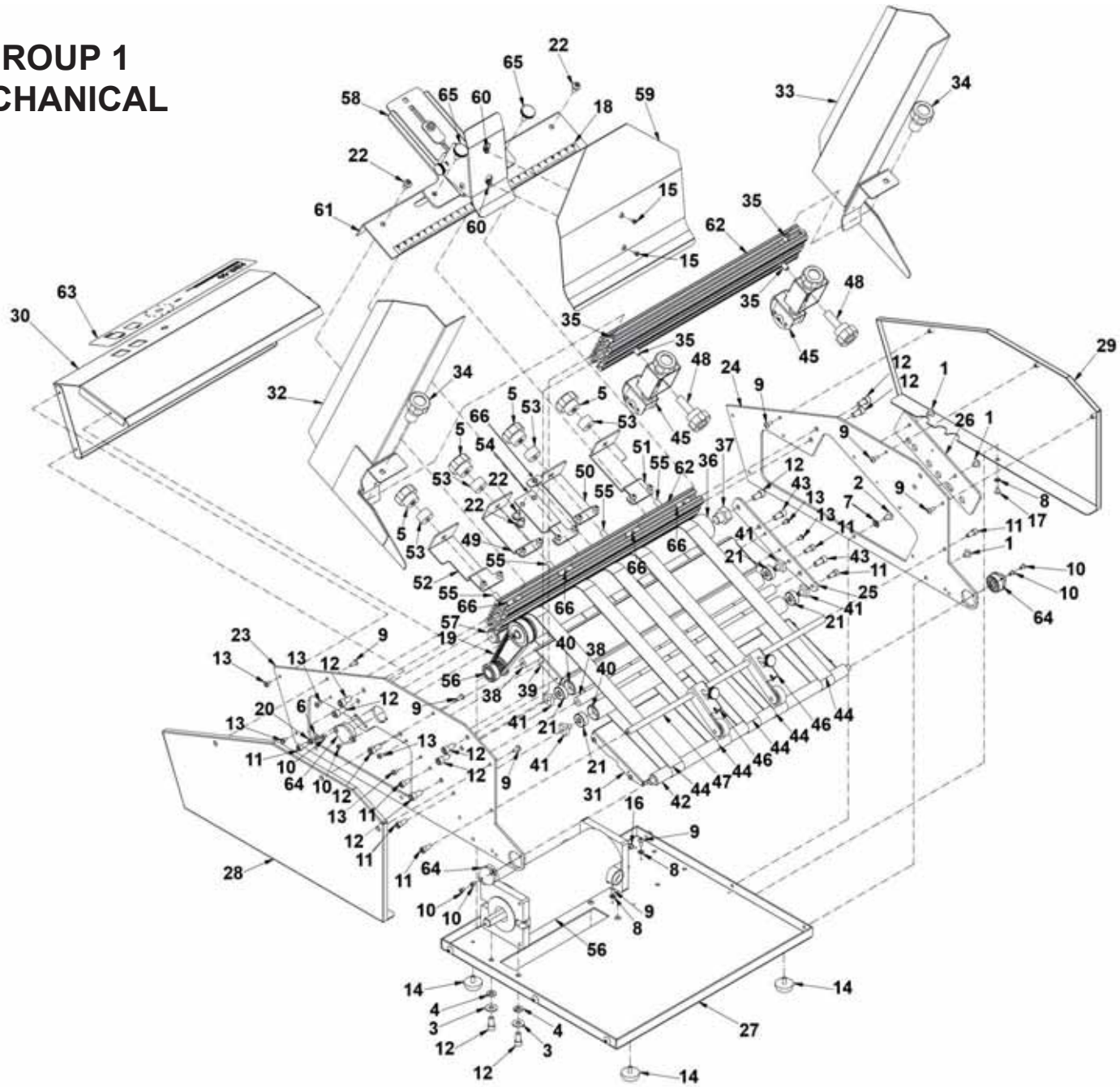


ASTRO ABF-50 Belt Feeder



Parts Catalog

GROUP 1 MECHANICAL

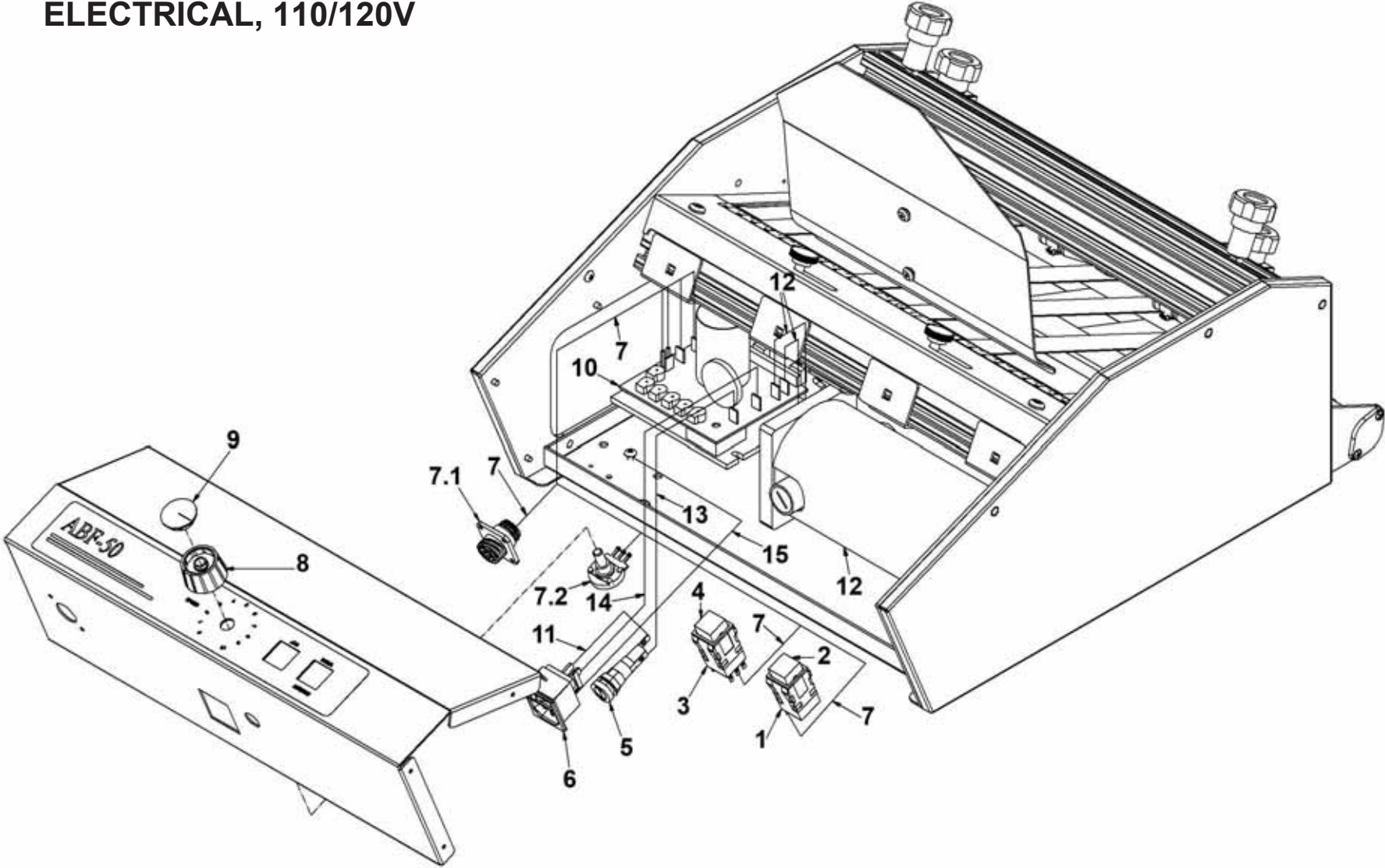


GROUP 1 MECHANICAL

KEY	PART NO.	DESCRIPTION	QTY
1.	123-0017	SCREW, 10-32 x 1/4 TRUSS HD. PH SS	6
2.	123-0024	SCREW, 10-32 x 3/8 TRUSS HD. PH SS	2
3.	123-0063	WASHER, 0.625 OD x 0.281 ID x 1/16	4
4.	123-0064	LOCK WASHER, 1/4 SS	4
5.	123-0094	KNOB, 1/4-20 FEMALE BRASS INSERT	4
6.	123-0148	WASHER, 7/16 OD x 0.200 ID x 1/32	1
7.	123-0237	LOCK WASHER, #10 EXTERNAL TOOTH	2
8.	123-0252	LOCK WASHER, #6 EXTERNAL TOOTH	4
9.	123-0274	SCREW, 6-32 x 3/8 TRUSS HD. PH SS	8
10.	123-0275	SCREW, 6-32 x 1/4 OVAL CSK HD. PH SS	6
11.	123-0486	SCREW, 10-32 x 7/16 SOC. HD. CAP	7
12.	123-0524	SCREW, 1/4-20 x 1/2 SOC. HD. CAP	15
13.	123-0612	SCREW, 6-32 x 1/4 PAN HD. SS	14
14.	123-0620	RUBBER FOOT	4
15.	123-0675	SCREW, 6-32 x 3/16 FL HD. PH UNDERCUT	2
16.	123-1132	LABEL, MACHINE GROUND	1
17.	123-1135	SCREW, 6-32 x 1/4 TRUSS HD. PH SS	2
18.	123-1526	DECAL, SCALE POSITION	1
19.	123-1564	BELT, TIMING 110XL041	1
20.	123-1677	LOCK WASHER, #10 SS	1
21.	123-2179	BALL BEARING, R4A	4
22.	123-2274	SCREW, 1/4-20 x 3/8 BTN. HD. SOC. CAP SS	4
23.	37-100-04	FRONT SIDE FRAME	1
24.	37-100-06	REAR SIDE FRAME	1
25.	37-100-08	REAR SIDE PLATE	1
26.	37-100-09	REAR PLATE BRACKET	1
27.	37-100-11	MOTOR BASE	1
28.	37-100-12	FRONT SIDE COVER	1
29.	37-100-14	REAR SIDE COVER	1
30.	37-100-19	REAR CLOSURE	1
31.	37-100-20	EXIT PLATE	1
32.	37-101-04	SIDE GUIDE WELDMENT, LH	1
33.	37-101-06	SIDE GUIDE WELDMENT, RH	1
34.	37-101-13	SIDE GUIDE KNOB	2

KEY	PART NO.	DESCRIPTION	QTY
35.	37-101-15	SCREW, CARRIAGE	4
36.	37-102-05	DRIVE ROLLER ASSEMBLY	1
37.	37-102-08	DRIVE ROLLER STUD	1
38.	37-102-09	REAR PLATE SUPPORT	2
39.	37-102-11	CENTER PLATE	1
40.	37-102-13	INTERMEDIATE ROLLER	2
41.	37-102-15	IDLER ROLLER STUD	4
42.	37-102-16	IDLER ROLLER	1
43.	37-102-20	SCREW, POSITIONER	2
44.	37-102-25	BELT, SEMI-ELASTIC, 0.900 x 25.125	5
45.	37-103-02	SEPARATOR ASSEMBLY	2
46.	37-103-13	WHEEL ARM ASSEMBLY	2
47.	37-103-15	CROSS BAR	1
48.	37-103-17	SEPARATOR KNOB	2
49.	37-104-02	BELT GUIDE 1 ASSEMBLY	1
50.	37-104-06	BELT GUIDE 2 ASSEMBLY	1
51.	37-104-09	BELT GUIDE 3 ASSEMBLY	1
52.	37-104-12	BELT GUIDE 4 ASSEMBLY	1
53.	37-104-14	KNOB SPACER	4
54.	37-104-17	BELT GUIDE 5 ASSEMBLY	1
55.	37-104-21	SCREW, CARRIAGE, LONG	4
56.	37-105-05	MOTOR ASSEMBLY	1
57.	37-105-18	TENSIONER ASSEMBLY	1
58.	37-106-02	MEDIA SUPPORT ASSEMBLY	1
59.	37-106-14	MEDIA SUPPORT, WIDE	1
60.	37-106-15	MEDIA SUPPORT PIN	2
61.	37-106-18	TOP CLOSURE	1
62.	37-106-21	BRIDGE	2
63.	37-550-10	DECAL, ABF-50 OVERLAY	1
64.	99-100-98	BALL BEARING HOUSING ASSEMBLY	3
65.	56-108-22	THUMBSCREW, REAR ENVELOPE GUIDE	2
66.	123-2170	NUT, T WITH CAP SCREW, 1/4-20	6

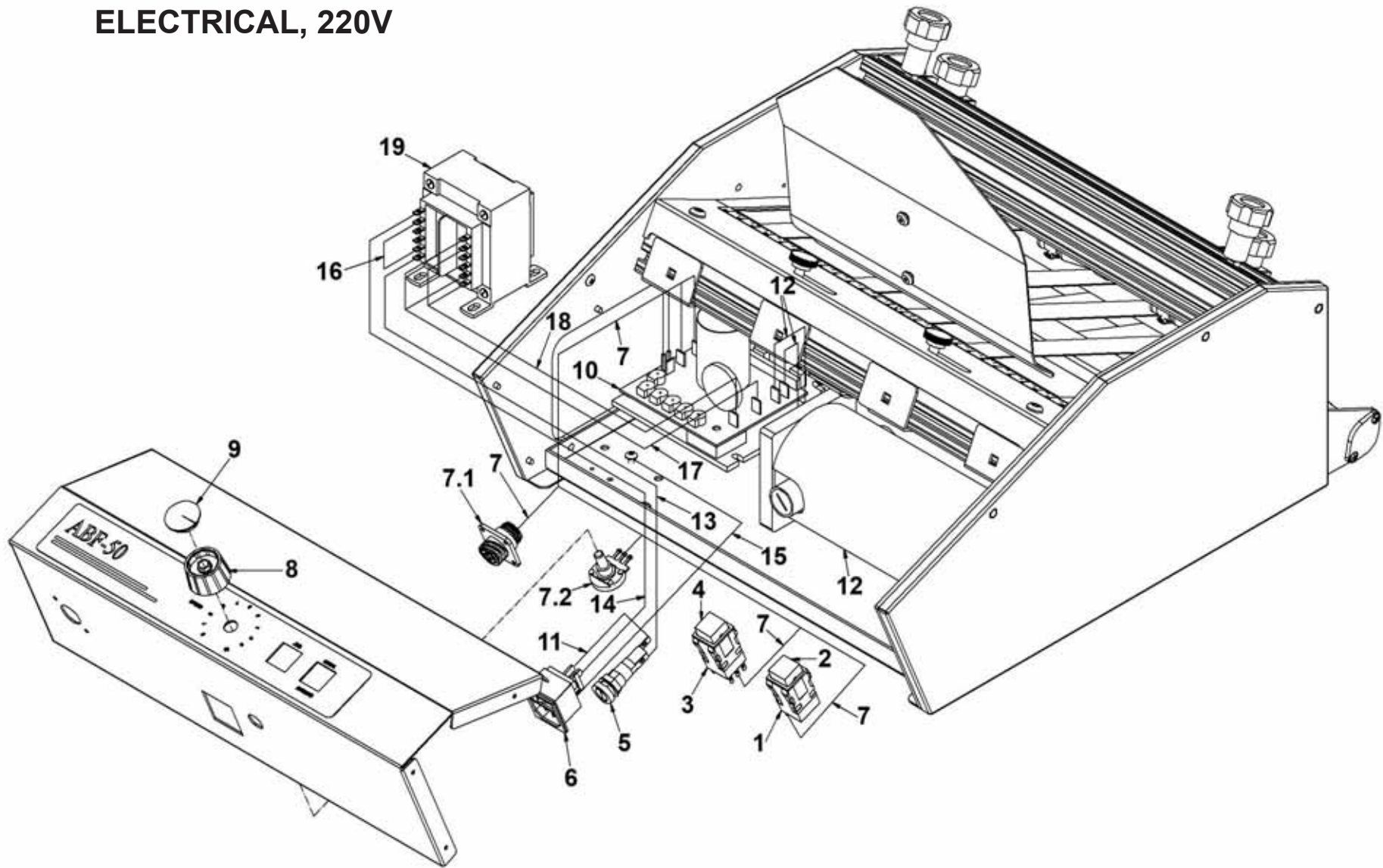
**GROUP 2
ELECTRICAL, 110/120V**



GROUP 2 ELECTRICAL, 110/120V

KEY	PART NO.	DESCRIPTION	QTY
1.	123-0353	SWITCH, MODE (<i>BLACK</i>)	1
2.	123-0615	CAP, BLACK AML51-A10K	1
3.	123-2372	SWITCH, PUSHBUTTON WITHOUT CAP	1
4.	123-2373	CAP, YELLOW FOR PUSHBUTTON SWITCH	1
5.	123-0355	FUSE HOLDER	1
6.	123-0729	POWER ENTRY MODULE	1
7.	37-500-01	INTERFACE CABLE WIRE HARNESS	1
7.1.	123-0654	RECEPTACLE, CIRCULAR	1
7.2.	123-2596	POTENTIOMETER, 25K	1
8.	123-1518	KNOB, S291 250	1
9.	123-1519	CAP, GRAY WITH WHITE LINE	1
10.	123-1651	SPEED CONTROL	1
11.	27-500-01	POWER INLET - FUSE	1
12.	37-105-05	MOTOR ASSEMBLY	1
13.	37-500-03	WIRE HARNESS, SPEED CONTROL-FUSE	1
14.	37-500-04	WIRE HARNESS, SPEED CONTROL-POWER INLET	1
15.	37-500-05	WIRE HARNESS, POWER INLET GROUND	1

**GROUP 2A
ELECTRICAL, 220V**



GROUP 2A ELECTRICAL, 220V

KEY	PART NO.	DESCRIPTION	QTY
1.	123-0353	SWITCH, MODE (<i>BLACK</i>)	1
2.	123-0615	CAP, BLACK AML51-A10K	1
3.	123-2372	SWITCH, PUSHBUTTON WITHOUT CAP	1
4.	123-2373	CAP, YELLOW FOR PUSHBUTTON SWITCH	1
5.	123-0355	FUSE HOLDER	1
6.	123-0729	POWER ENTRY MODULE	1
7.	37-500-01	INTERFACE CABLE WIRE HARNESS	1
7.1.	123-0654	RECEPTACLE, CIRCULAR	1
7.2.	123-2596	POTENTIOMETER, 25K	1
8.	123-1518	KNOB, S291 250	1
9.	123-1519	CAP, GRAY WITH WHITE LINE	1
10.	123-1651	SPEED CONTROL	1
11.	27-500-01	POWER INLET - FUSE	1
12.	37-105-05	MOTOR ASSEMBLY	1
13.	37-500-103	WIRE HARNESS, TRANSFORMER-FUSE	1
14.	37-500-104	WIRE HARNESS, TRANSFORMER-POWER INLET	1
15.	37-500-05	WIRE HARNESS, POWER INLET GROUND	1
16.	37-500-105	WIRE HARNESS, TRANSFORMER	1
17.	37-500-106	WIRE HARNESS, TRANSFORMER-SPEED CONTROL	1
18.	37-500-107	WIRE HARNESS, TRANSFORMER-SPEED CONTROL	1
19.	123-1166	TRANSFORMER	1

INDEX

PART NO.	GROUP	KEY	PART NO.	GROUP	KEY	PART NO.	GROUP	KEY
123-0017	1	1	27-500-01	2A	11	37-500-05	2	15
123-0024	1	2	37-100-04	1	23	37-500-05	2A	15
123-0063	1	3	37-100-06	1	24	37-500-103	2A	13
123-0064	1	4	37-100-08	1	25	37-500-104	2A	14
123-0094	1	5	37-100-09	1	26	37-500-105	2A	16
123-0148	1	6	37-100-11	1	27	37-500-106	2A	17
123-0237	1	7	37-100-12	1	28	37-500-107	2A	18
123-0252	1	8	37-100-14	1	29	37-550-10	1	63
123-0274	1	9	37-100-19	1	30	56-108-22	1	65
123-0275	1	10	37-100-20	1	31	99-100-98	1	64
123-0353	2	1	37-101-04	1	32			
123-0353	2A	1	37-101-06	1	33			
123-0355	2	5	37-101-13	1	34			
123-0355	2A	5	37-101-15	1	35			
123-0486	1	11	37-102-05	1	36			
123-0524	1	12	37-102-08	1	37			
123-0612	1	13	37-102-09	1	38			
123-0615	2	2	37-102-11	1	39			
123-0615	2A	2	37-102-13	1	40			
123-0620	1	14	37-102-15	1	41			
123-0654	2	7.1	37-102-16	1	42			
123-0654	2A	7.1	37-102-20	1	43			
123-0675	1	15	37-102-25	1	44			
123-0729	2	6	37-103-02	1	45			
123-0729	2A	6	37-103-13	1	46			
123-1132	1	16	37-103-15	1	47			
123-1135	1	17	37-103-17	1	48			
123-1166	2A	19	37-104-02	1	49			
123-1518	2	8	37-104-06	1	50			
123-1518	2A	8	37-104-09	1	51			
123-1519	2	9	37-104-12	1	52			
123-1519	2A	9	37-104-14	1	53			
123-1526	1	18	37-104-17	1	54			
123-1564	1	19	37-104-21	1	55			
123-1651	2	10	37-105-05	1	56			
123-1651	2A	10	37-105-05	2	12			
123-1677	1	20	37-105-05	2A	12			
123-2170	1	66	37-105-18	1	57			
123-2179	1	21	37-106-02	1	58			
123-2274	1	22	37-106-14	1	59			
123-2372	2	3	37-106-15	1	60			
123-2372	2A	3	37-106-18	1	61			
123-2373	2	4	37-106-21	1	62			
123-2373	2A	4	37-500-01	2	7			
123-2596	2	7.2	37-500-01	2A	7			
123-2596	2A	7.2	37-500-03	2	13			
27-500-01	2	11	37-500-04	2	14			

Copyright© 2014 Astro Machine Corp.
02/26/2014

Part Number: 100-ABF-50 Rev. A