



ASTRO UW-1C and RW-1C LABEL PRINTER UNWINDER & WINDER



Parts Manual

Powered by
memjet®

This manual is intended solely for the use and information of Astro Machine Corp., its designated agents, customers, and their employees. The information in this guide was obtained from several different sources that are deemed reliable by all industry standards. To the best of our knowledge, that information is accurate in all respects. However, neither Astro Machine Corp. nor any of its agents or employees shall be responsible for any inaccuracies contained herein.

AstroJet™ is a registered trademark of Astro Machine Corp.
Memjet® is a registered trademark.

All other trademarks are the property of their respective holders.

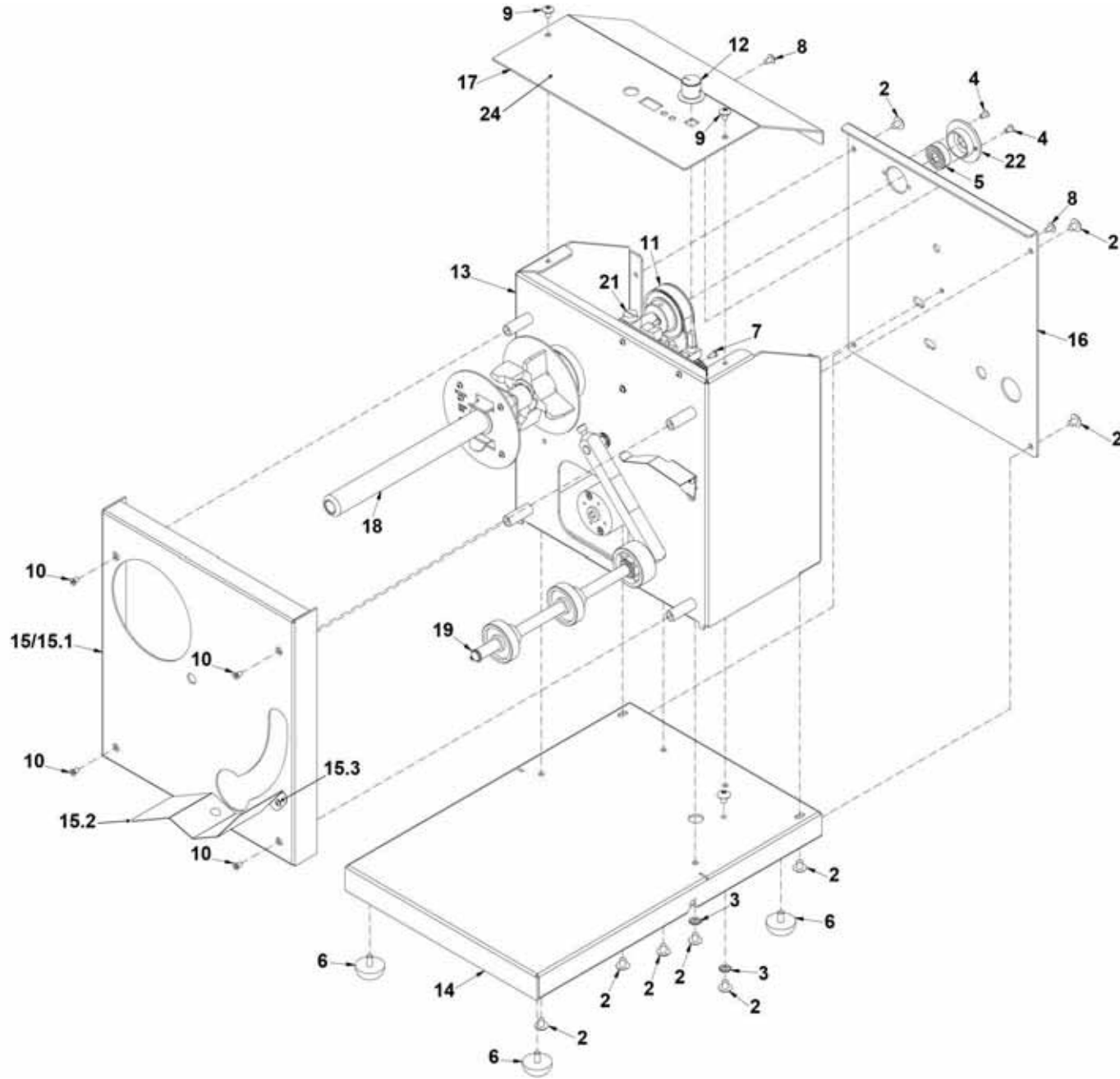
All rights reserved. No part of this book may be reproduced or transmitted in any form or by any means, electronic or mechanical, including photocopying, recording, or any information storage and retrieval system, without permission in writing from the publisher.

Table of Contents

GROUP 1 – UNWINDER	23
GROUP 1A – UNWINDER REEL SHAFT ASSEMBLY	26
GROUP 1B – UNWINDER ARM ASSEMBLY	28
GROUP 1C – UNWINDER MOTOR BRACKET ASSEMBLY	30
GROUP 1D – UNWINDER BODY SUBASSEMBLY	32
GROUP 2 – WINDER	34
GROUP 2A – WINDER REEL SHAFT ASSEMBLY	37
GROUP 2B – WINDER ARM & SPRING LEVER ASSEMBLIES	40
GROUP 2C – WINDER MOTOR BRACKET ASSEMBLY	42
GROUP 2D – WINDER BODY SUBASSEMBLY	44
INDEX	49

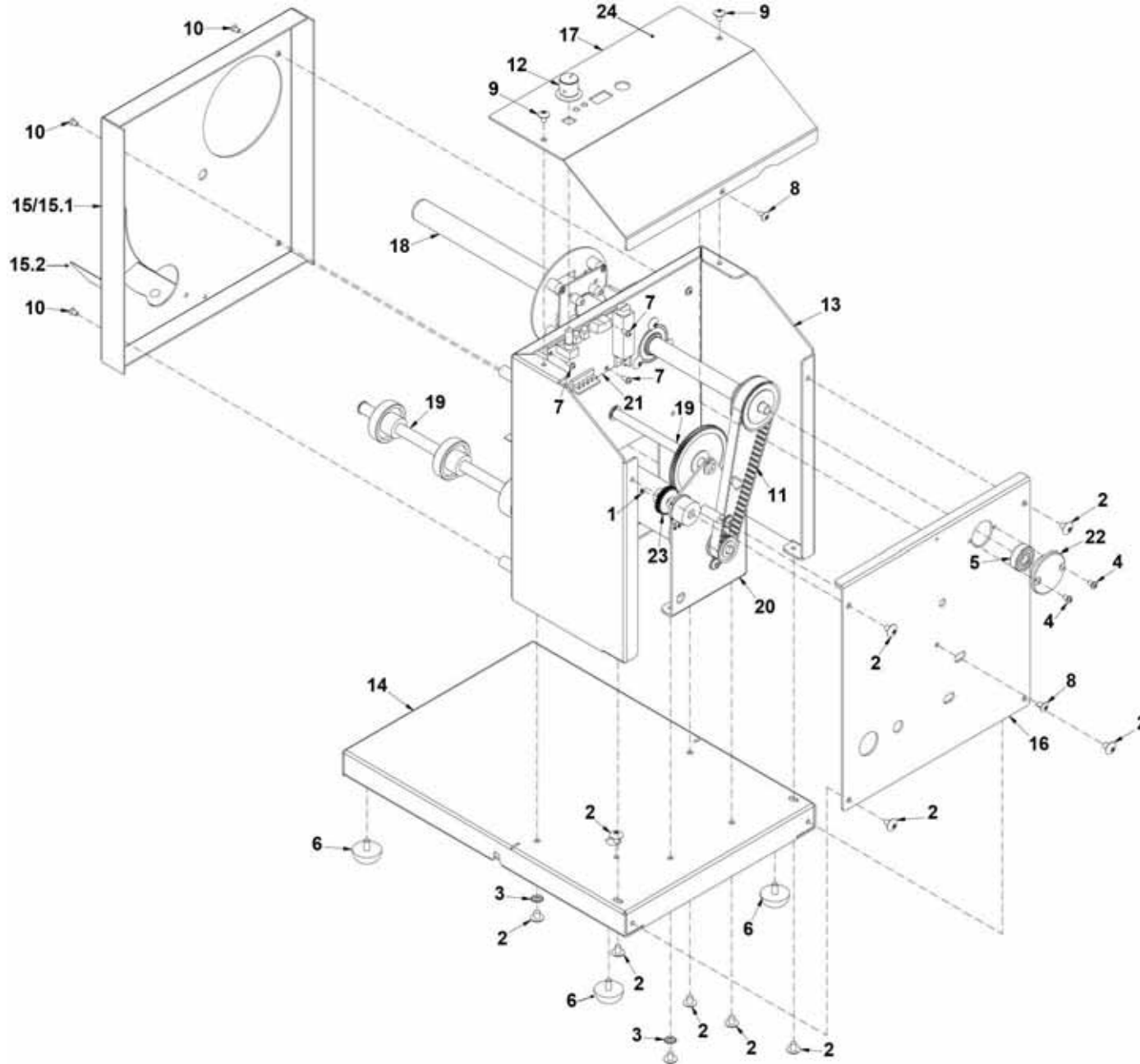
GROUP 1 UNWINDER

FRONT



GROUP 1 UNWINDER

REAR



GROUP 1 UNWINDER

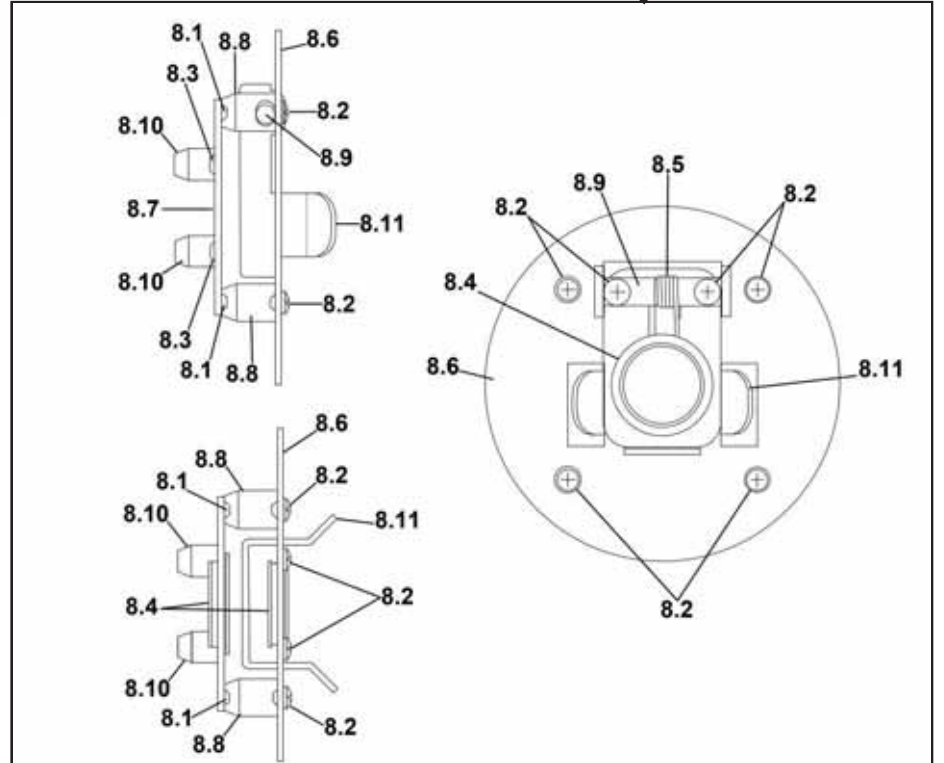
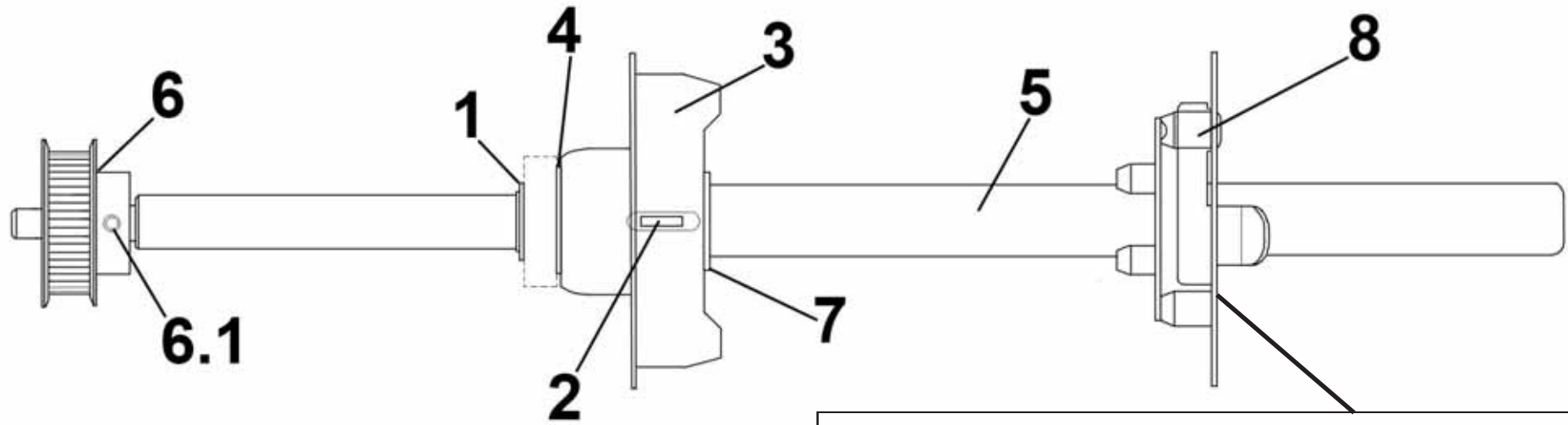
KEY		PART NO.	DESCRIPTION	QTY
1		123-0010	SET SCREW, 6-32 x 1/8 HEX SOCKET, CUP POINT	2
2		123-0017	SCREW, 10-32 x 1/4 TRUSS HD., PH, SS	11
3		123-0237	LOCK WASHER, #10 EXTERNAL TOOTH	2
4		123-0275	SCREW, 6-32 x 1/4 OVAL COUNTERSUNK HD., PH, SS	2
5		123-0384	BALL BEARING	1
6		123-0620	FOOT, RUBBER	4
7		123-0976	SCREW, 4-40 x 1/4 PAN HD., PH, SS	2
8		123-1135	SCREW, 6-32 x 1/4 TRUSS HD., PH, SS	2
9		123-1136	SCREW, 8-32 x 1/4 TRUSS HD., PH, SS	2
10		123-1178	SCREW, 6-32 x 1/4 FL HD., PH, UNDERCUT	4
11		123-2080	BELT, TIMING 140XL	1
12		123-2548	KNOB, MATTE BLACK, 5/8" DIA, 6MM SHAFT	1
13		(GROUP 5D)	UNWINDER BODY SUBASSEMBLY	1
14		42-310-07	UNWINDER BASE	1

KEY		PART NO.	DESCRIPTION	QTY
15	UNWINDER LABEL GUIDE ASSEMBLY			1
15.1		42-310-09	UNWINDER LABEL GUIDE	1
15.2		42-312-15N	UNWINDER ARM STOPPER, BOTTOM	1
15.3		123-0978	SCREW, 4-40 x 3/16 PAN HD., PH, SS	3
16		42-310-12	UNWINDER CLOSURE	1
17		42-310-14	UNWINDER BODY COVER	1
18		(GROUP 5A)	REEL SHAFT ASSEMBLY	1
19		(GROUP 5B)	UNWINDER ARM ASSEMBLY	1
20		(GROUP 5C)	UNWINDER MOTOR BRKT ASSY.	1
21		42-500-55	UNWINDER PCB CONTROLLER	1
22		84-121-11	CAP, BALL BEARING	1
23		94-116-08	GEAR, 28 TEETH	1
24		42-550-32	UNWINDER CONTROL PANEL OVERLAY (DECAL)	1
*		42-530-100	PRINTER INTERFACE CABLE/ WIRING HARNESS (UNWINDER)	1

*NOT SHOWN

**GROUP 1
UNWINDER**

GROUP 1A
UNWINDER - REEL SHAFT ASSEMBLY

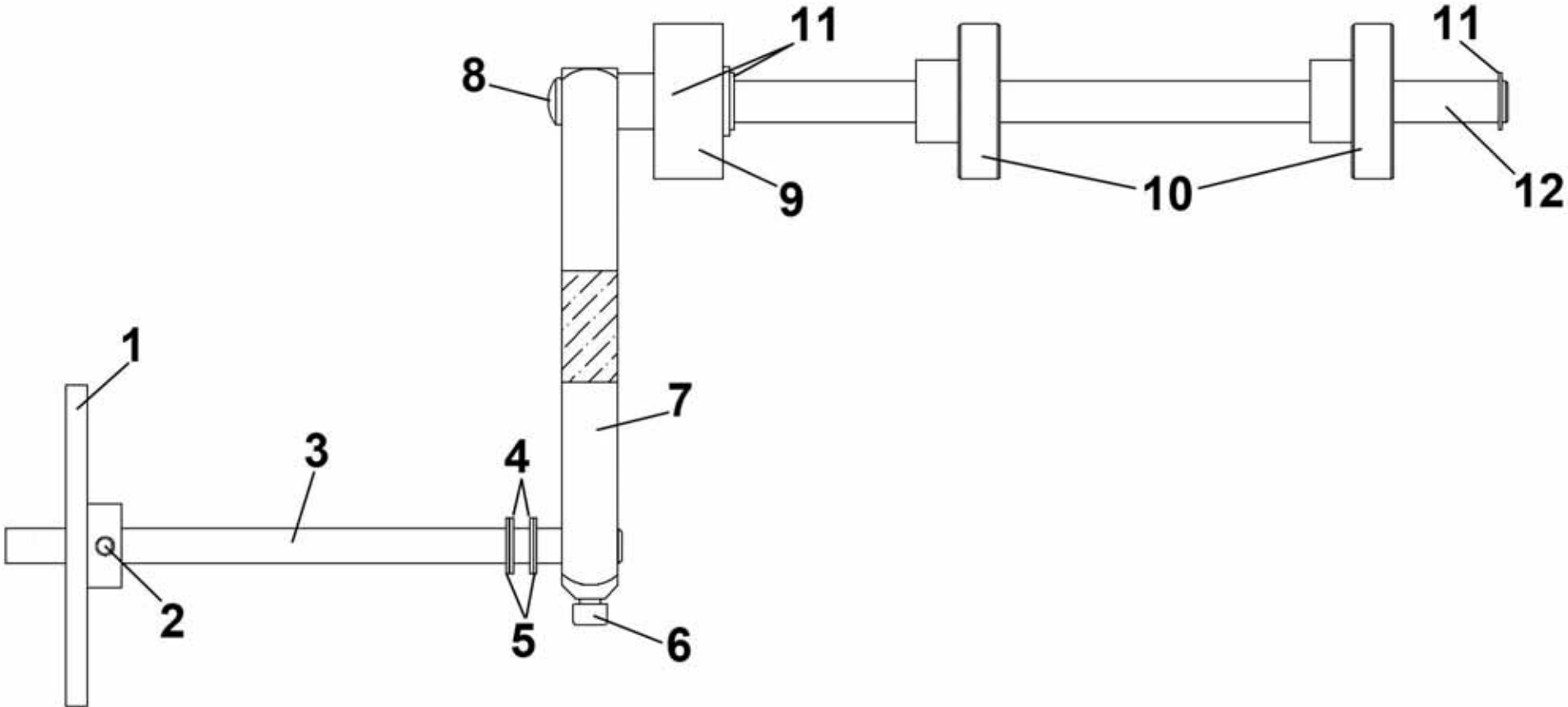


**GROUP 1A
UNWINDER – REEL SHAFT ASSEMBLY**

KEY		PART NO.	DESCRIPTION	QTY
1		123-1690	C-CLIP	1
2		123-2533	KEY, 3/16 x 1/2 MACHINE, SQ. END	1
3		42-311-05	LABEL SUPPLY HUB ASSEMBLY	1
4		42-311-08	LABEL SUPPLY HUB SPACER	1
5		42-311-11	REEL SHAFT	1
6		42-311-17	DRIVEN PULLEY 24G	1
6.1		123-1956	SET SCREW, 8-32 x 5/16 SOC. HD.	1
7		42-311-19	REEL SHAFT CLIP	1

KEY		PART NO.	DESCRIPTION	QTY
8		42-311-40	REEL ROLL SUPPORT ASSEMBLY (INCLUDES ALL PARTS BELOW)	1
8.1		123-0975	SCREW, 4-40 x 1/4 FH, PH, SS	4
8.2		123-0976	SCREW, 4-40 x 1/4 PAN HD., PH	6
8.3		123-1178	SCREW, 6-32 x 1/4 FL HD., PH, UNDERCUT	4
8.4		123-2537	BALL BEARING CLIP	2
8.5		42-311-41	COUPLER ARM SPRING	1
8.6		42-311-42	FLANGE	1
8.7		42-311-43	COUPLER FLANGE	1
8.8		42-311-45	REEL ROLL SUPPORT STUD	4
8.9		42-311-46	REEL ROLL SUPPORT PIVOT	1
8.10		42-311-47	REEL ROLL SUPPORT PIN	4
8.11		42-311-49	COUPLER ARM WELDMENT	1

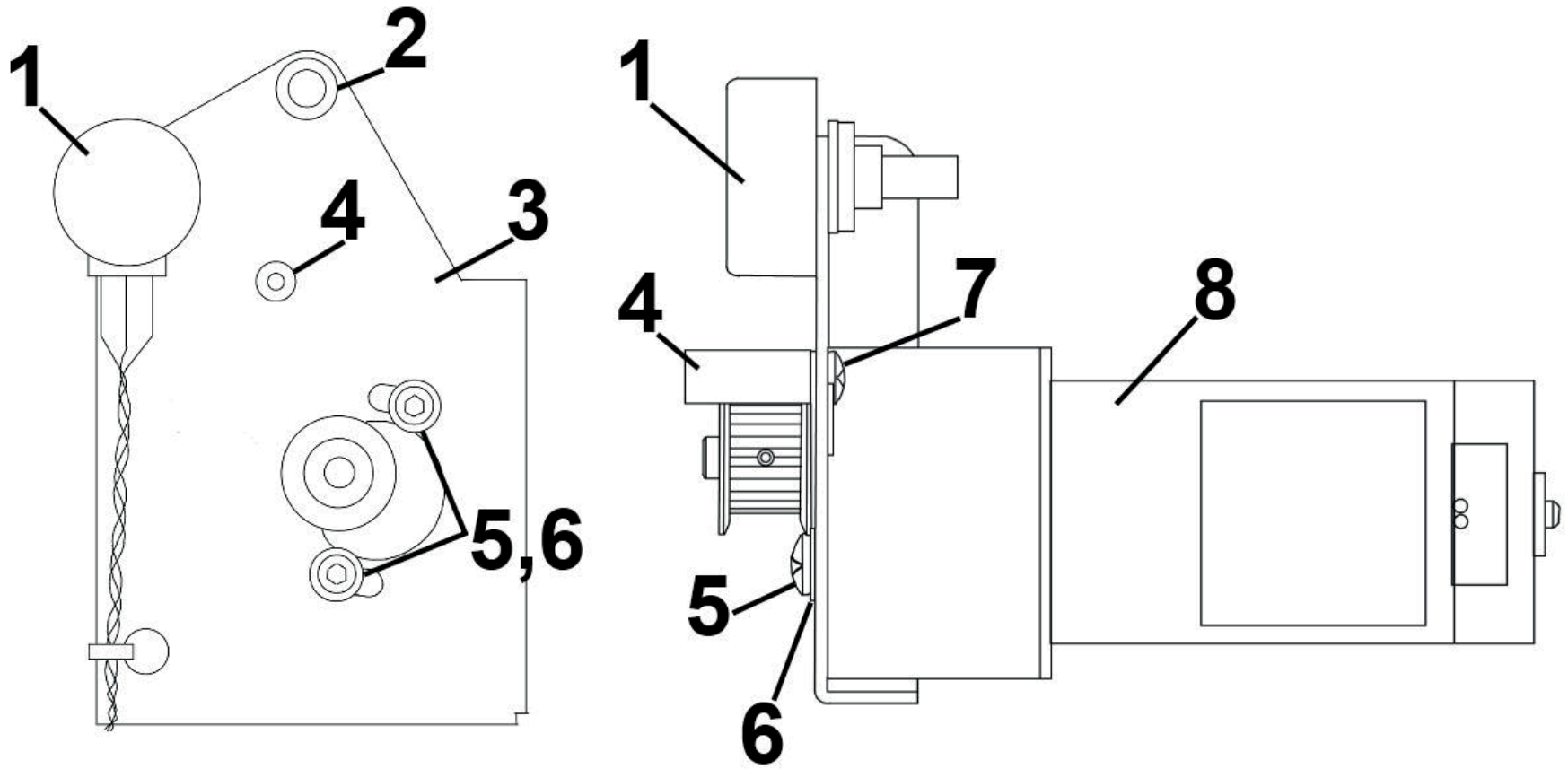
GROUP 1B
UNWINDER – UNWINDER ARM ASSEMBLY











GROUP 1B
UNWINDER – UNWINDER ARM ASSEMBLY

KEY		PART NO.	DESCRIPTION	QTY
1		42-312-16	UNWINDER/WINDER ARM GEAR, 32P-80T	1
2		123-1956	SET SCREW, 8-32 x 5/16 SOC. HD.	1
3		42-312-07	UNWINDER/WINDER ARM PIVOT	1
4		123-0312	WASHER, 5/16 x 1/2 x 0.30 PLASTIC	2
5		123-2117	C-CLIP	2
6		123-1680	SCREW, 10-32 x 1/2 SOC. HD. CAP	1
7		42-312-06N	UNWINDER ARM	1
8		123-2635	SCREW, 10-32 x 7/8 SOC. BUTTON HD., BLACK	1
9		42-312-31	ARM BAR COLLAR ASSEMBLY	1
10		42-312-33	UNWINDER ARM BAR RING ASSEMBLY	2
11		123-2633	RETAINING CLIP	3
12		42-312-09N	UNWINDER ARM BAR	1

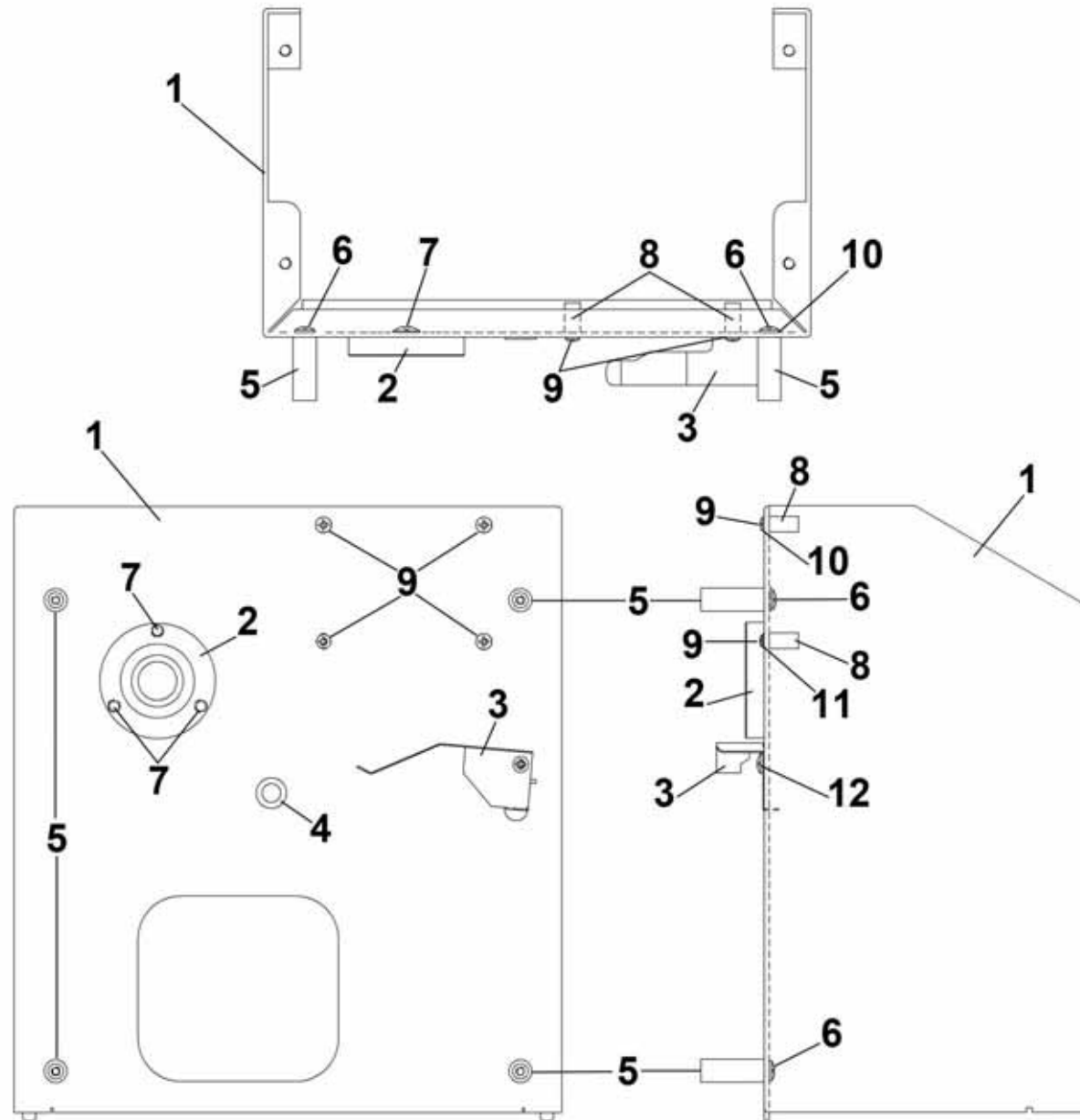
GROUP 1C
UNWINDER – MOTOR BRACKET ASSEMBLY



GROUP 1C
UNWINDER – MOTOR BRACKET ASSEMBLY

KEY		PART NO.	DESCRIPTION	QTY
1		42-530-53	UNWINDER POTENTIOMETER ASSEMBLY	1
2		123-2316	BEARING, CLIP 5/16 x 3/8	1
3		42-312-04	UNWINDER MOTOR BRACKET	1
4		42-312-18	MOTOR BRACKET SPACER	1
5		123-1210	SCREW, 10-32 x 3/8 BTN. HD. SOC. CAP, SS, BLK	2
6		123-0148	WASHER, 7/16 OD x 0.200 ID x 1/32	2
7		123-0612	SCREW, 6-32 x 1/4 PAN HD., PH, SS	1
8		42-310-18	UNWINDER MOTOR ASSEMBLY (SOLD AS ASSEMBLY ONLY – INCLUDES PULLEY AND CONNECTOR WIRES)	1

GROUP 1D
UNWINDER – UNWINDER BODY SUBASSEMBLY



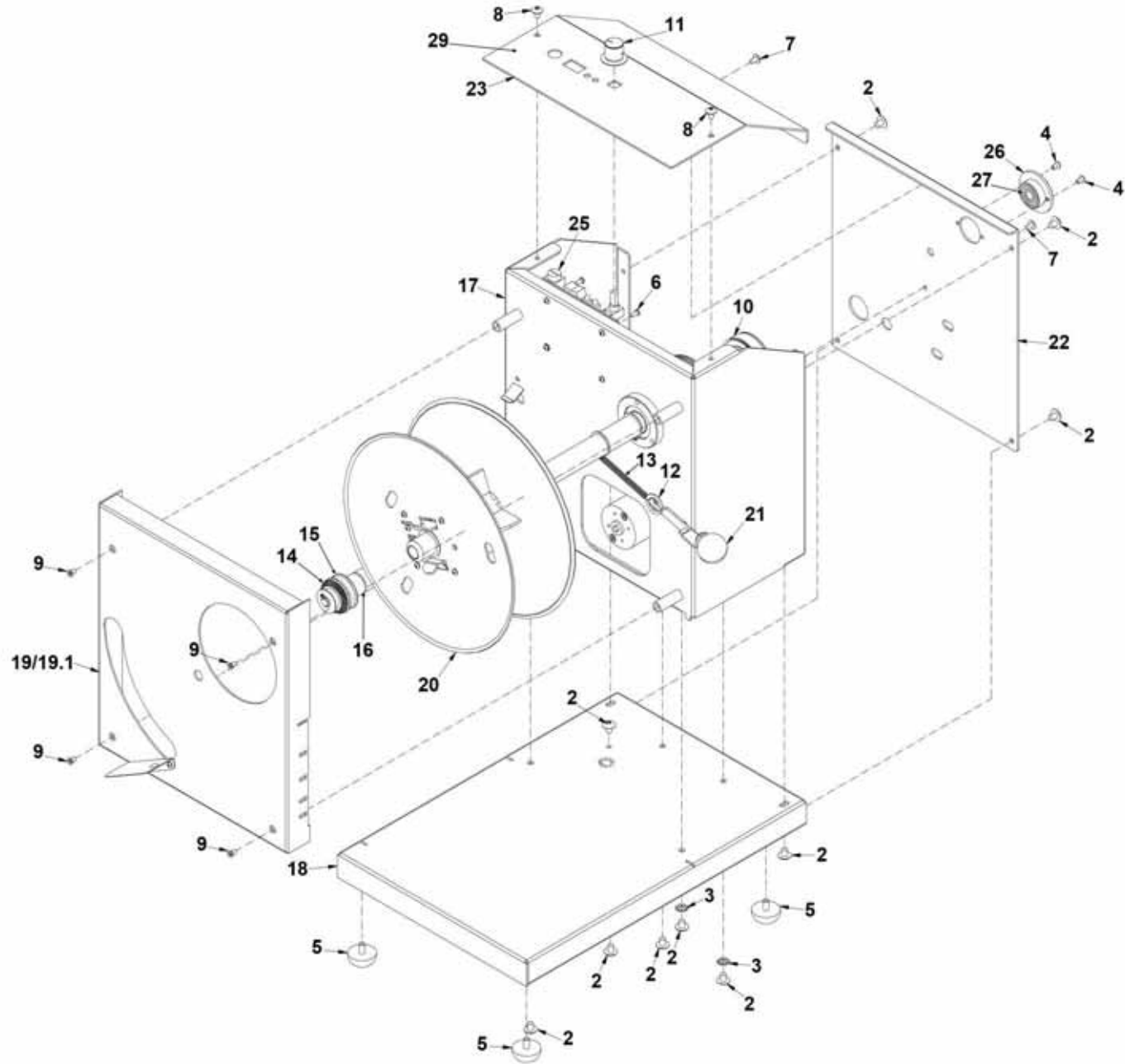
GROUP 1D
UNWINDER – UNWINDER BODY SUBASSEMBLY

KEY		PART NO.	DESCRIPTION	QTY
1		42-310-05N	UNWINDER BODY	1
2		42-311-13	REEL SHAFT HOUSING ASSEMBLY (BEARING)	1
3		42-312-14B	UNWINDER ARM STOPPER, TOP	1
4		123-2316	BEARING, CLIP 5/16 x 3/8	1
5		42-310-10	LABEL GUIDE STANDOFF	4
6		123-2409	SCREW, 6-32 x 5/16 PAN HD., PH, SS	4

KEY		PART NO.	DESCRIPTION	QTY
7		123-0024	SCREW, 10-32 x 3/8 TRUSS HD., PH, MS	3
8		42-310-17	PC BOARD STANDOFF	4
9		123-0976	SCREW, 1/4-40 x 1/4 PAN HD., PH	4
10		123-0252	LOCK WASHER, #6 EXTERNAL TOOTH	1
11		123-0261	STAR WASHER, #4 EXTERNAL	1
12		123-1135	SCREW, 6-32 x 1/4 TRUSS HD., PH, SS	1

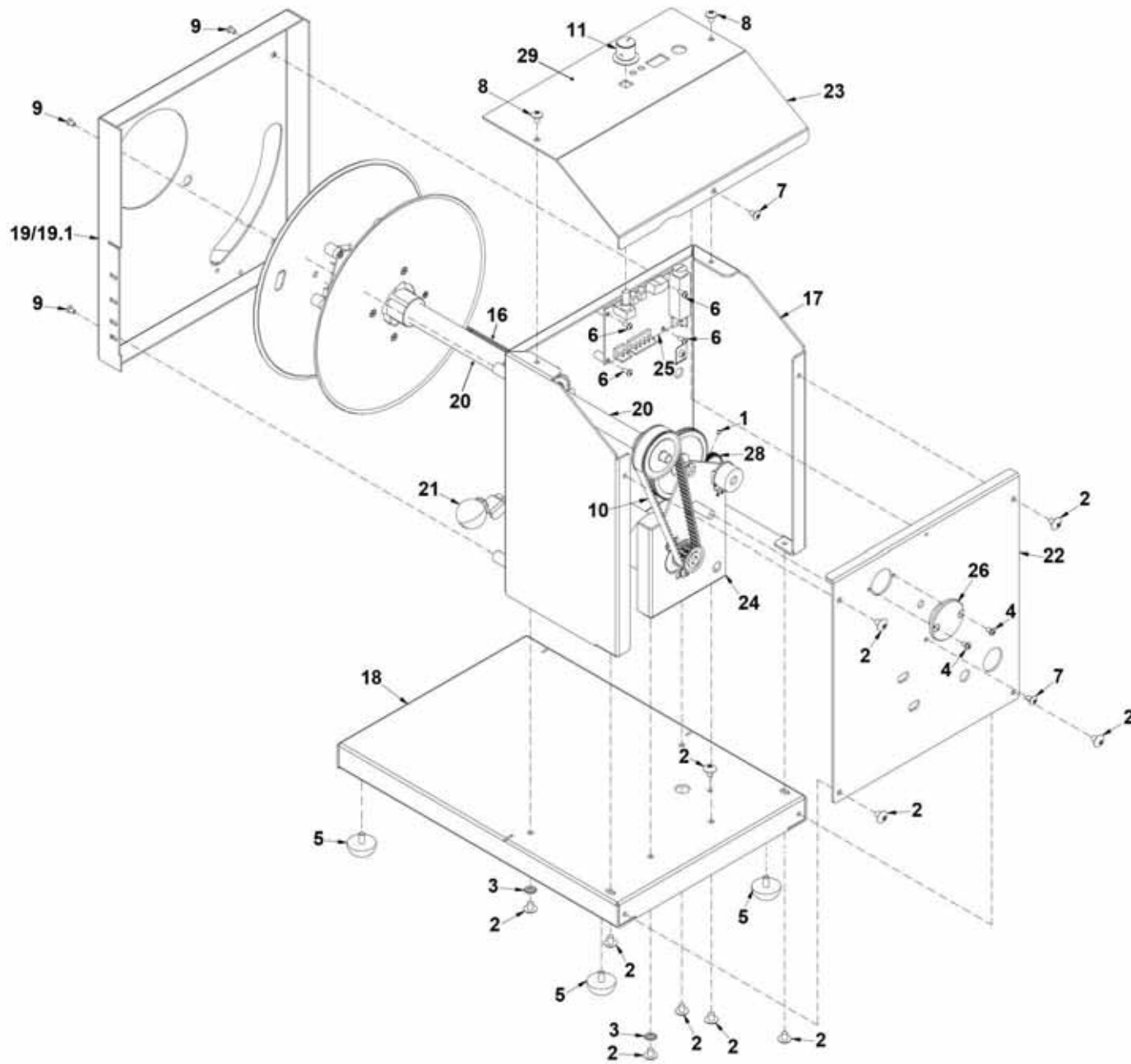
GROUP 2 WINDER

FRONT
































GROUP 2 WINDER

REAR



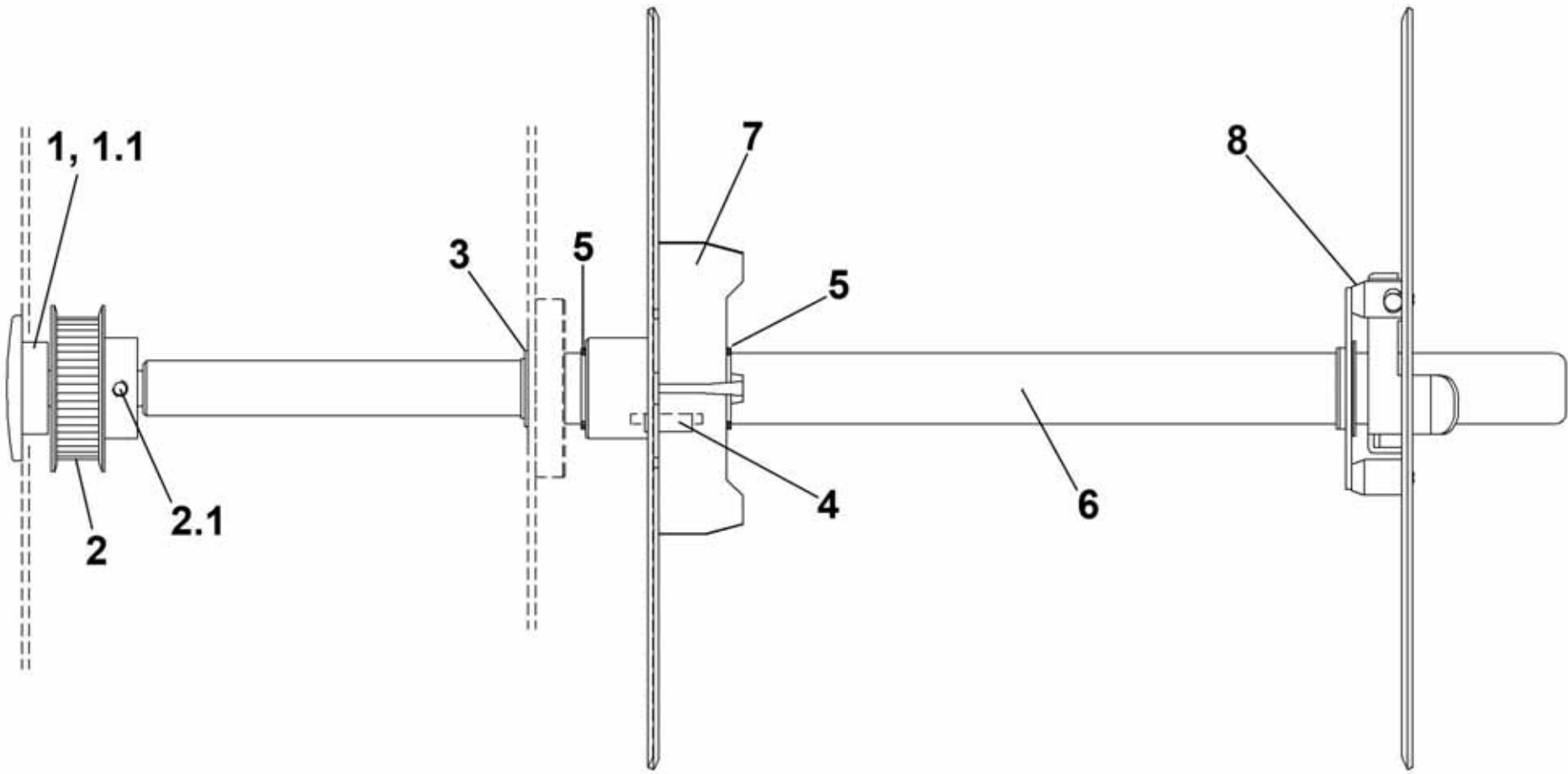
GROUP 2 WINDER

KEY		PART NO.	DESCRIPTION	QTY
1		123-0010	SET SCREW, 6-32 x 1/8 HEX SOCKET, CUP POINT	2
2		123-0017	SCREW, 10-32 x 1/4 TRUSS HD., PH, SS	11
3		123-0237	LOCK WASHER, #10 EXTERNAL TOOTH	2
4		123-0275	SCREW, 6-32 x 1/4 OVAL COUNTERSUNK HD., PH, SS	2
5		123-0620	FOOT, RUBBER	4
6		123-0976	SCREW, 4-40 x 1/4 PAN HD., PH, SS	2
7		123-1135	SCREW, 6-32 x 1/4 TRUSS HD., PH, SS	2
8		123-1136	SCREW, 8-32 x 1/4 TRUSS HD., PH, SS	2
9		123-1178	SCREW, 6-32 x 1/4 FL HD., PH, UNDERCUT	4
10		123-2080	BELT, TIMING 140XL	1
11		123-2548	KNOB, MATTE BLACK, 5/8" DIA, 6MM SHAFT	1
12		123-1884	WASHER, 1/2 x 3/4 x 1/16	1
13		20-100-227	SPRING	1
14		42-312-20	ARM BAR MEDIA GUIDE ASSEMBLY	1
15		42-322-38	FLANGE, WINDER ARM	1
16		(GROUP 6B)	WINDER ARM ASSEMBLY	1
17		(GROUP 6D)	WINDER BODY SUBASSEMBLY	1
18		42-320-07	WINDER BASE	1

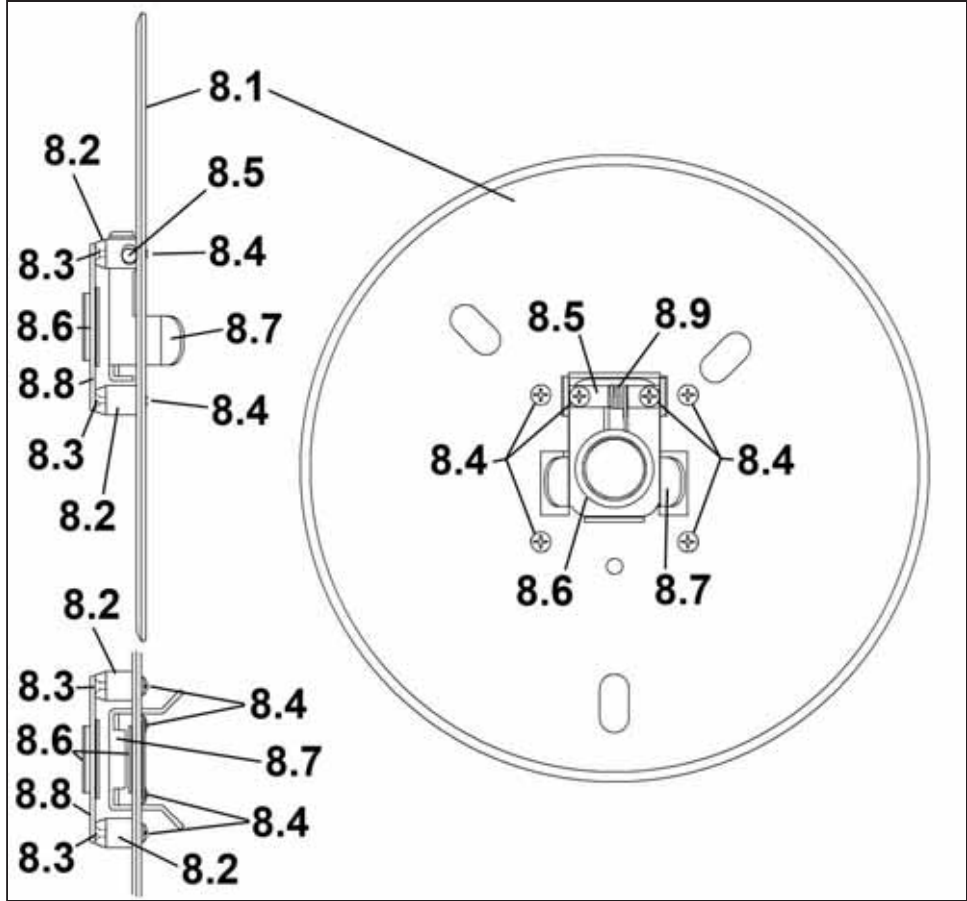
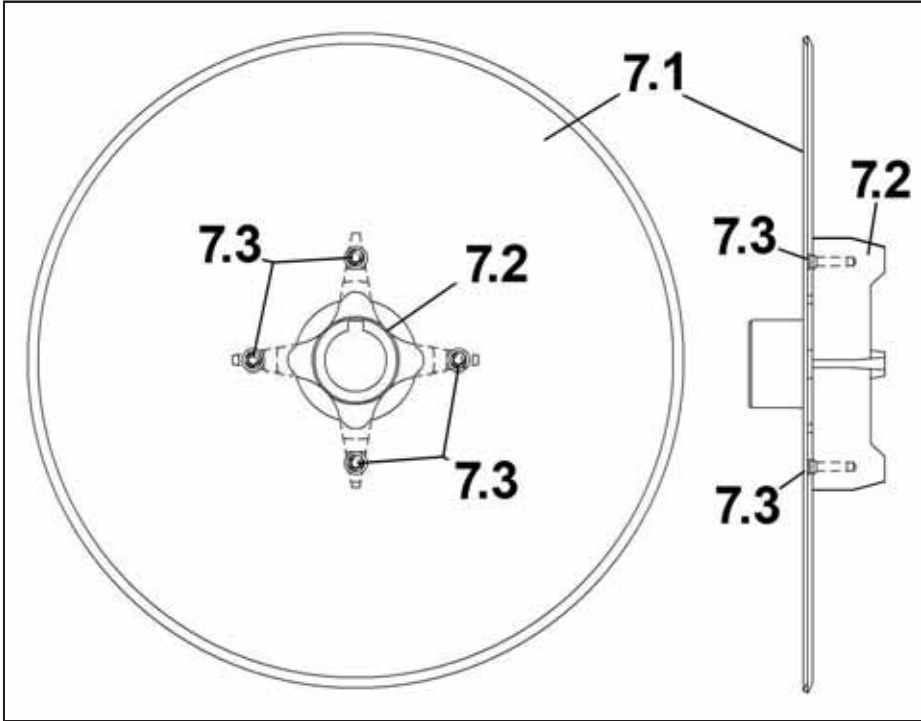
KEY		PART NO.	DESCRIPTION	QTY
19		WINDER LABEL GUIDE ASSEMBLY		1
19.1		42-320-09	WINDER LABEL GUIDE	1
19.2		42-322-15	WINDER ARM STOPPER, BOTTOM	1
19.3		123-0978	SCREW, 4-40 x 3/16 PAN HD., PH, SS	3
20		(GROUP 6A)	REEL SHAFT ASSEMBLY	1
21		42-322-34	WINDER SPRING LEVER ASSEMBLY	1
22		42-320-12	WINDER CLOSURE	1
23		42-320-14	WINDER BODY COVER	1
24		(GROUP 6C)	WINDER MOTOR BRACKET ASSY.	1
25		42-500-50	WINDER PCB CONTROLLER	1
26		84-121-11	CAP, BALL BEARING	1
27		123-0384	BALL BEARING	1
28		94-116-08	GEAR, 28 TEETH	1
29		42-550-26	WINDER CONTROL PANEL OVERLAY (DECAL)	1
*		42-530-110	PRINTER INTERFACE CABLE/ WIRING HARNESS (WINDER)	1

*NOT SHOWN

GROUP 2A
WINDER - REEL SHAFT ASSEMBLY



GROUP 2A
WINDER – REEL SHAFT ASSEMBLY

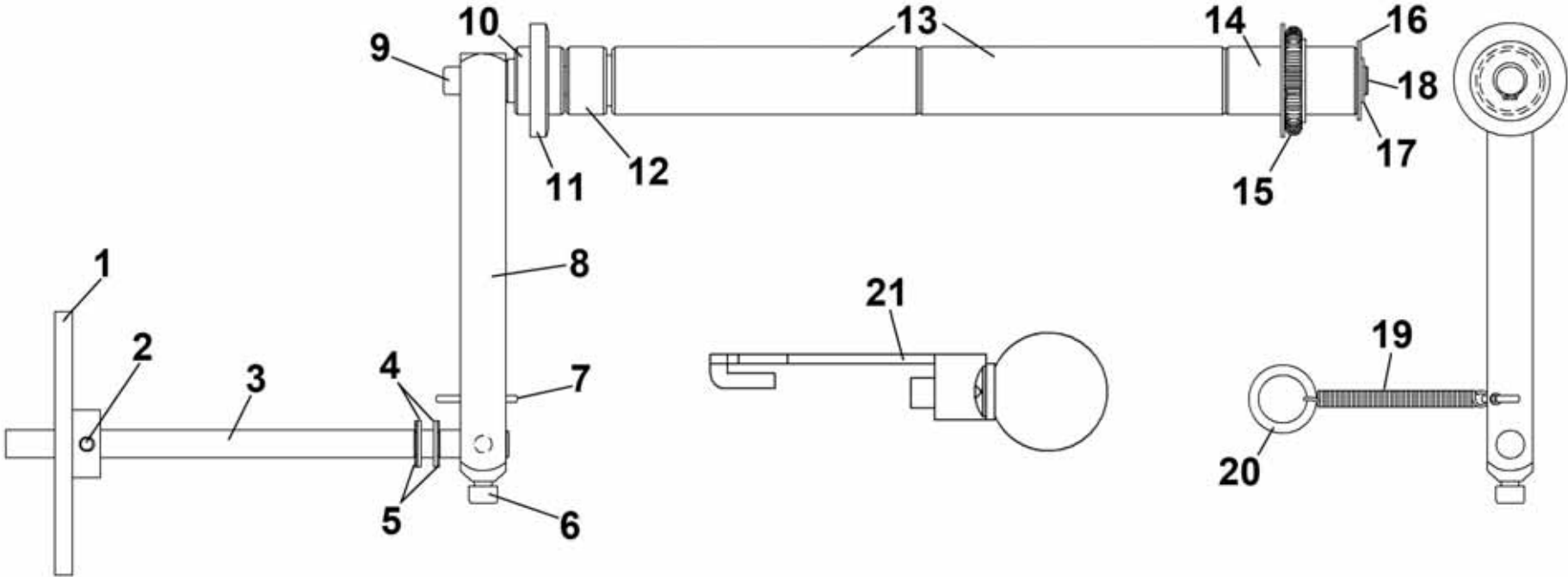


**GROUP 2A
WINDER – REEL SHAFT ASSEMBLY**

KEY		PART NO.	DESCRIPTION	QTY
1		84-121-11	CAP, BALL BEARING	1
1.1		123-0384	BALL BEARING	1
2		42-311-17	DRIVEN PULLEY 24G	1
2.1		123-1956	SET SCREW, 8-32 x 5/16 SOC. HD	1
3		123-1690	C-CLIP	1
4		123-2533	KEY, 3/16 x 1/2 MACHINE, SQ. END	1
5		123-2629	REEL SHAFT CLIP	2
6		42-321-11	REEL SHAFT	1
7		42-321-05	WINDER HUB ASSEMBLY (INCLUDES ALL PARTS BELOW)	1
7.1		42-321-09	WINDER INNER FLANGE	1
7.2		42-321-07	WINDER HUB	1
7.3		123-0683	SCREW, 6-32 x 5/16 PH UNDERCUT SS	4

KEY		PART NO.	DESCRIPTION	QTY
8		42-321-40	REEL ROLL SUPPORT ASSEMBLY (INCLUDES ALL PARTS BELOW)	1
8.1		42-321-42	WINDER OUTER FLANGE	1
8.2		42-311-45	REEL ROLL SUPPORT STUD	4
8.3		123-0975	SCREW, 4-40 x 1/4 FH, PH, SS	4
8.4		123-0976	SCREW, 4-40 x 1/4 PAN HD., PH	6
8.5		42-311-46	REEL ROLL SUPPORT PIVOT	1
8.6		123-2537	BALL BEARING CLIP	2
8.7		42-311-49	COUPLER ARM WELDMENT	1
8.8		42-311-43	COUPLER FLANGE	1
8.9		42-311-41	COUPLER ARM SPRING	1

GROUP 2B
WINDER – WINDER ARM & SPRING LEVER ASSEMBLIES

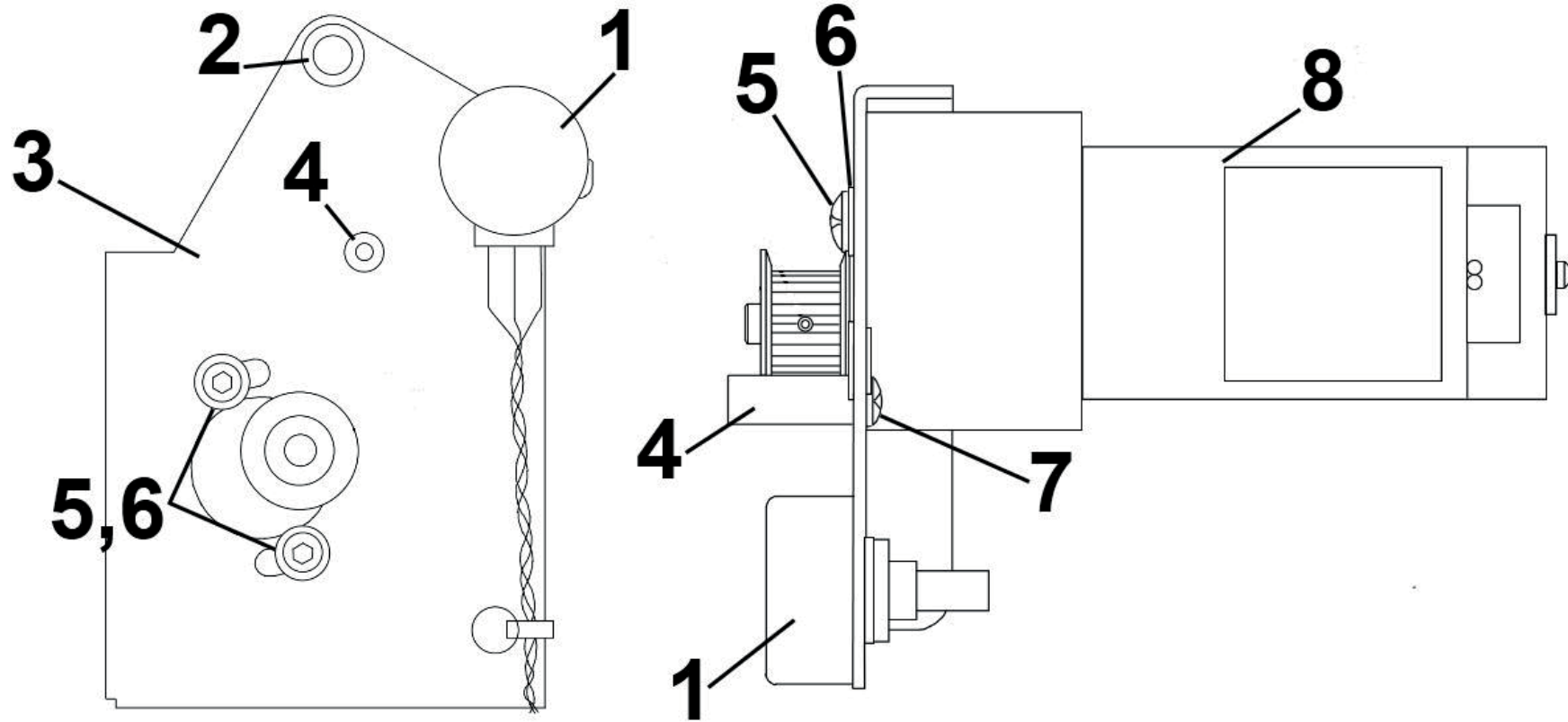


GROUP 2B
WINDER – WINDER ARM & SPRING LEVER ASSEMBLIES









KEY		PART NO.	DESCRIPTION	QTY
1		42-312-16	UNWINDER/WINDER ARM GEAR, 32P-80T	1
2		123-1956	SET SCREW, 8-32 x 5/16 SOC. HD.	1
3		42-312-07	UNWINDER/WINDER ARM PIVOT	1
4		123-0312	WASHER, 5/16 x 1/2 x 0.30 PLASTIC	2
5		123-2117	C-CLIP	2
6		123-0486	SCREW, 10-32 x 7/16 SOC. HD. CAP	1
7		123-1638	COTTER PIN	1
8		42-322-06	WINDER ARM	1
9		123-1241	SCREW, 10-32 x 3/4 SOC. HD., BLACK	1
10		42-312-13	ARM BAR FILLER	1
11		42-322-38	FLANGE, WINDER ARM	1

KEY		PART NO.	DESCRIPTION	QTY
12		42-312-11	ARM BAR COLLAR ASSEMBLY	1
13		42-312-10	ARM BAR BUSHING, LONG BLACK	2
14		42-322-10	WINDER ARM BAR BUSHING, MED. BLACK	1
15		42-312-20	ARM BAR MEDIA GUIDE ASSEMBLY	1
16		42-322-37	WASHER, WINDER ARM	1
17		123-2350	C-CLIP	1
18		42-322-09	WINDER ARM BAR	1
19		20-100-227	SPRING	1
20		123-1884	WASHER, 1/2 x 3/4 x 1/16	1
21		42-322-34	WINDER SPRING LEVER ASSEMBLY	1

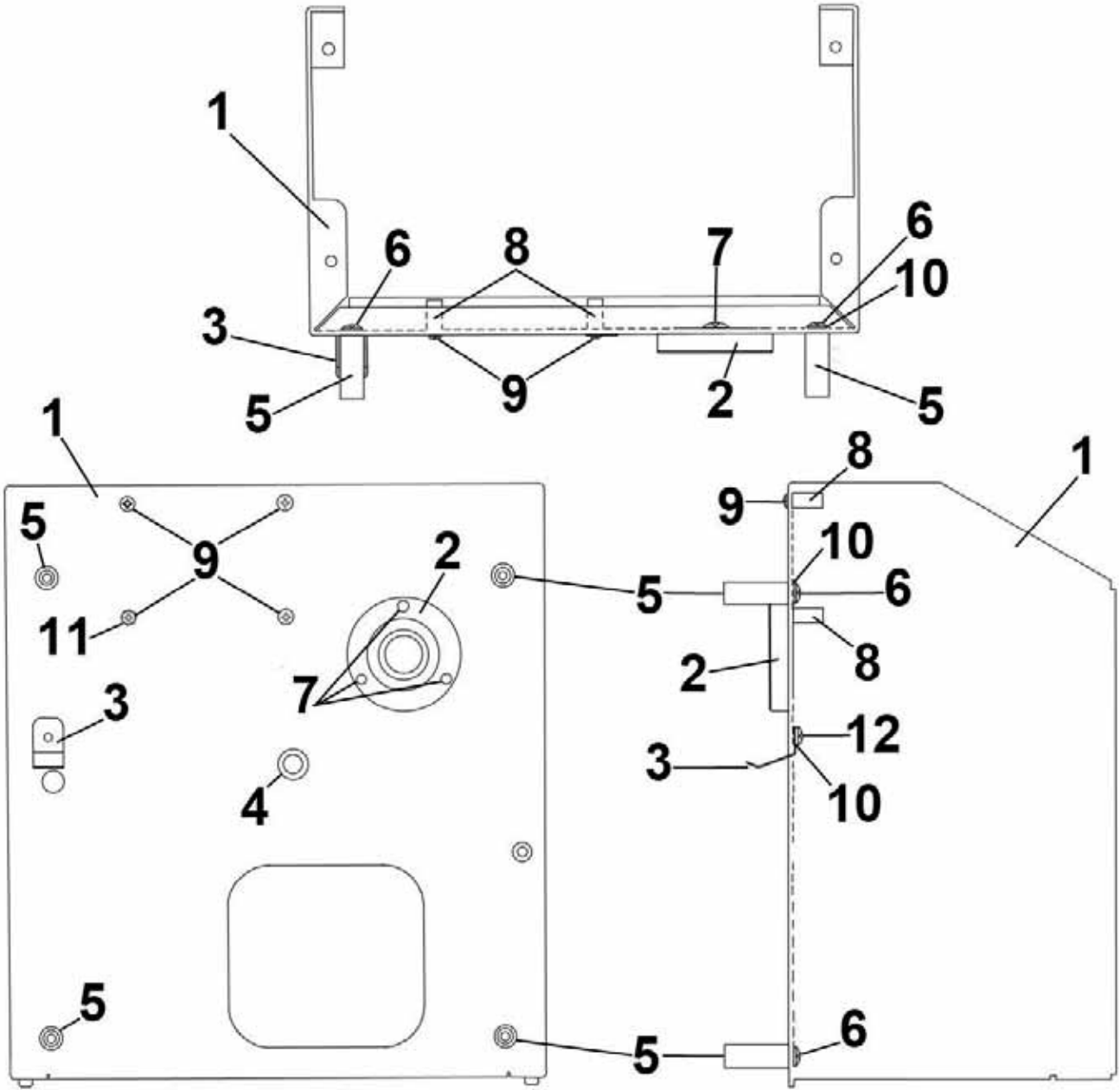
GROUP 2C
WINDER – MOTOR BRACKET ASSEMBLY



GROUP 2C
WINDER – MOTOR BRACKET ASSEMBLY

KEY		PART NO.	DESCRIPTION	QTY
1		42-530-63	WINDER POTENTIOMETER ASSEMBLY	1
2		123-2316	BEARING, CLIP 5/16 x 3/8	1
3		42-322-04	WINDER MOTOR BRACKET	1
4		42-312-18	MOTOR BRACKET SPACER	1
5		123-1210	SCREW, 10-32 x 3/8 BTN. HD. SOC. CAP, SS, BLK	2
6		123-0148	WASHER, 7/16 OD x 0.200 ID x 1/32	2
7		123-0612	SCREW, 6-32 x 1/4 PAN HD., PH, SS	1
8		42-320-18	WINDER MOTOR ASSEMBLY (SOLD AS ASSEMBLY ONLY – INCLUDES PULLEY AND CONNECTOR WIRES)	1

GROUP 2D
WINDER - WINDER BODY SUBASSEMBLY



GROUP 2D
WINDER – WINDER BODY SUBASSEMBLY

KEY		PART NO.	DESCRIPTION	QTY
1		42-320-05	WINDER BODY	1
2		42-311-13	REEL SHAFT HOUSING ASSEMBLY (<i>BEARING</i>)	1
3		42-312-14	WINDER ARM STOPPER, TOP	1
4		123-2316	BEARING, CLIP 5/16 x 3/8	1
5		42-310-10	LABEL GUIDE STANDOFF	4
6		123-2409	SCREW, 6-32 x 5/16 PAN HD., PH, SS	4

KEY		PART NO.	DESCRIPTION	QTY
7		123-0024	SCREW, 10-32 x 3/8 TRUSS HD., PH, MS	3
8		42-310-17	PC BOARD STANDOFF	4
9		123-0976	SCREW, 4-40 x 1/4 PAN HD., PH.	4
10		123-0252	LOCK WASHER, #6 EXTERNAL TOOTH	2
11		123-0261	STAR WASHER, #4 EXTERNAL TOOTH	1
12		123-0461	SCREW, 6-32 x 3/16 ROUND HD., PH, SS	1

INDEX

PART NO.	GROUP	KEY	PART NO.	GROUP	KEY	PART NO.	GROUP	KEY
123-0010	1	1	123-1241	2B	9	42-311-17	2A	2
123-0010	2	1	123-1638	2B	7	42-311-19	1A	7
123-0017	1	2	123-1680	1B	6	42-311-40	1A	8
123-0017	2	2	123-1690	1A	1	42-311-41	1A	8.5
123-0024	1D	7	123-1690	2A	3	42-311-41	2A	8.9
123-0024	2D	7	123-1884	2	12	42-311-42	1A	8.6
123-0148	1C	6	123-1884	2B	20	42-311-43	1A	8.7
123-0148	2C	6	123-1956	1A	6.1	42-311-43	2A	8.8
123-0237	1	3	123-1956	1B	2	42-311-45	1A	8.8
123-0237	2	3	123-1956	2A	2.1	42-311-45	2A	8.2
123-0252	1D	10	123-1956	2B	2	42-311-46	1A	8.9
123-0252	2D	10	123-2080	1	11	42-311-46	2A	8.5
123-0261	1D	11	123-2080	2	10	42-311-47	1A	8.10
123-0261	2D	11	123-2117	1B	5	42-311-49	1A	8.11
123-0275	1	4	123-2117	2B	5	42-311-49	2A	8.7
123-0275	2	4	123-2316	1C	2	42-312-04	1C	3
123-0312	1B	4	123-2316	1D	4	42-312-06N	1B	7
123-0312	2B	4	123-2316	2C	2	42-312-07	1B	3
123-0384	1	5	123-2316	2D	4	42-312-07	2B	3
123-0384	2	27	123-2350	2B	17	42-312-09N	1B	12
123-0384	2A	1.1	123-2409	1D	6	42-312-10	2B	13
123-0461	3	8	123-2409	2D	6	42-312-11	2B	12
123-0461	2D	12	123-2533	1A	2	42-312-13	2B	10
123-0486	2B	6	123-2533	2A	4	42-312-14	2D	3
123-0612	1C	7	123-2537	1A	8.4	42-312-14B	1D	3
123-0612	2C	7	123-2537	2A	8.6	42-312-15N	1	15.2
123-0620	1	6	123-2548	1	12	42-312-16	1B	1
123-0620	2	5	123-2548	2	11	42-312-16	2B	1
123-0683	2A	7.3	123-2629	2A	5	42-312-18	1C	4
123-0975	1A	8.1	123-2633	1B	11	42-312-18	2C	4
123-0975	2A	8.3	123-2635	1B	8	42-312-20	2	14
123-0976	1	7	20-100-227	2	13	42-312-20	2B	15
123-0976	1A	8.2	20-100-227	2B	19	42-312-31	1B	9
123-0976	1D	9	42-310-05N	1D	1	42-312-33	1B	10
123-0976	2	6	42-310-07	1	14	42-320-05	2D	1
123-0976	2A	8.4	42-310-09	1	15.1	42-320-07	2	18
123-0976	2D	9	42-310-10	1D	5	42-320-09	2	19.1
123-0978	1	15.3	42-310-10	2D	5	42-320-12	2	22
123-0978	2	19.3	42-310-12	1	16	42-320-14	2	23
123-1135	1	8	42-310-14	1	17	42-320-18	2C	8
123-1135	1D	12	42-310-17	1D	8	42-321-05	2A	7
123-1135	2	7	42-310-17	2D	8	42-321-07	2A	7.2
123-1136	1	9	42-310-18	1C	8	42-321-09	2A	7.1
123-1136	2	8	42-311-05	1A	3	42-321-11	2A	6
123-1178	1	10	42-311-08	1A	4	42-321-40	2A	8
123-1178	1A	8.3	42-311-11	1A	5	42-321-42	2A	8.1
123-1178	2	9	42-311-13	1D	2	42-322-04	2C	3
123-1210	1C	5	42-311-13	2D	2	42-322-06	2B	8
123-1210	2C	5	42-311-17	1A	6	42-322-09	2B	18

INDEX

PART NO.	GROUP	KEY
42-322-10	2B	14
42-322-15	2	19.2
42-322-34	2	21
42-322-34	2B	21
42-322-37	2B	16
42-322-38	2	15
42-322-38	2B	11
42-500-50	2	25
42-500-55	1	21
42-530-53	1C	1
42-530-63	2C	1
42-530-100	1	--
42-530-110	2	--
42-550-26	2	29
42-550-32	1	24
84-121-11	1	22
84-121-11	2	26
84-121-11	2A	1
94-116-08	1	23
94-116-08	2	28

Copyright © 2015 Astro Machine Corp.

03/05/2015

Part Number: 100-UW1C/RW1C